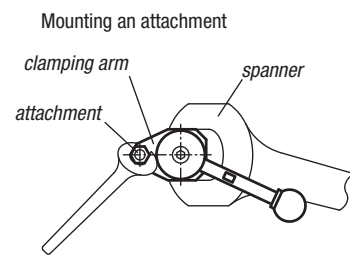
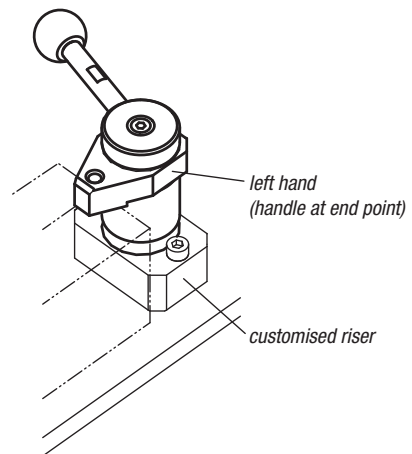
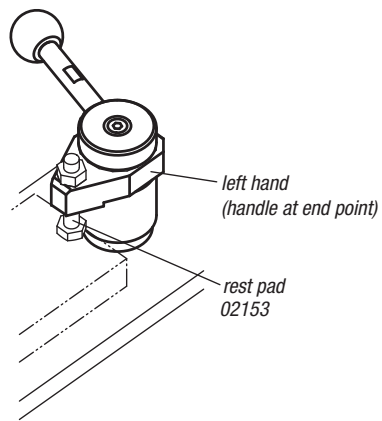


Technical information for swing clamps



When mounting an attachment on the clamping arm, use a spanner to lock the arm and prevent it from turning.