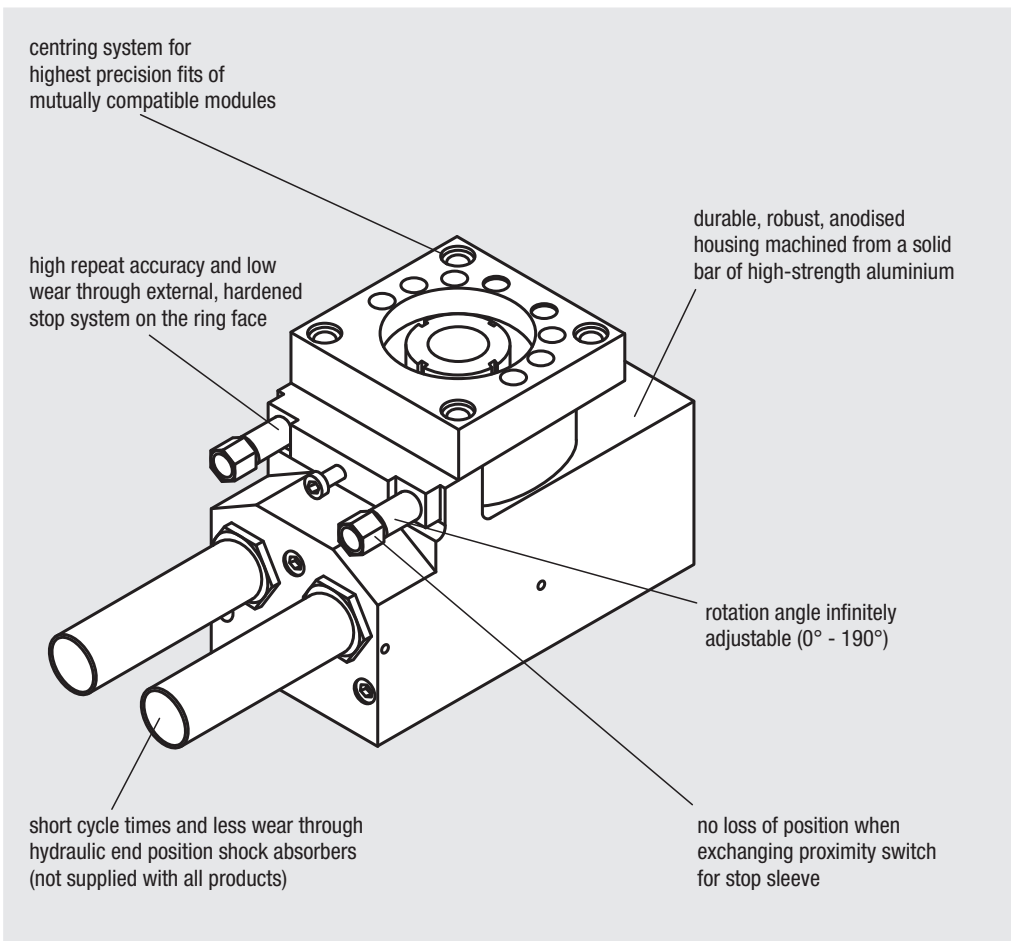


# Technical information for pneumatic rotary modules

Compact, high-performance rotary modules open many fields of application. They are an indispensable component, when combined with linear modules to reach any point in a given space. Rotary modules can be mounted in any position. The extremely compact design of the rotary modules allow for high load bearing capacity in all directions with high rigidity of the entire system. The 0° – 190° rotation angle for all models is infinitely adjustable.

- cylinder diameter: 10 mm – 38 mm.
- axial load: 280 N – 1.800 N.
- radial load: 220 N – 2.400 N.
- repeat accuracy  $\pm 0.01^\circ$ .
- rotary angle infinitely adjustable.
- play-free end positions through double actuated drive cylinders with protected pinion rack drive.
- many applications covered by coordinated increases in torque per size.
- also available for small installation spaces and as heavy-duty versions.
- drive protected by rotation limiter.



Swivel times		
norelem	Load (kg)	time / cycle
20060-014	0,250	0,3
20060-024	0,400	0,7 s
20062-016	1,500	0,8 s

The specified guide values for cycle times were ascertained under operation specific conditions and represent effective values.

Selection overview						
Design	for small spaces			heavy-duty		heavy-duty
Driving torque	0,28	0,94	3,5	6,5	12	24
Rotation angle	0°-190°	0°-190°	0°-190°	0°-190°	0°-190°	0°-190°
Axial load (N)	300	280	350	1100	1800	1800
Radial load (N)	220	350	450	1600	2400	2400
norelem	20060-014	20060-024	20062-016	20062-026	20065-019	20064-029