

Item description/product images

**Description****Material:**

Housing and actuator die-cast zinc.
Nut steel.

Version:

Housing and actuator chrome-plated.
Nut electro zinc-plated.

Note:

Lockable quarter-turn lock for right or left mounting with 90° closing. The quarter-turn lock can be installed pre-assembled (apart from those with a down offset tongue).

With stainless steel cylinder cap and dust cover.

These lockable quarter-turn locks are each delivered with 2 keys. The key can be removed in both positions (open and closed). The locks have a single key system, i.e. they can all be opened using the same key (cylinder lock 1333).

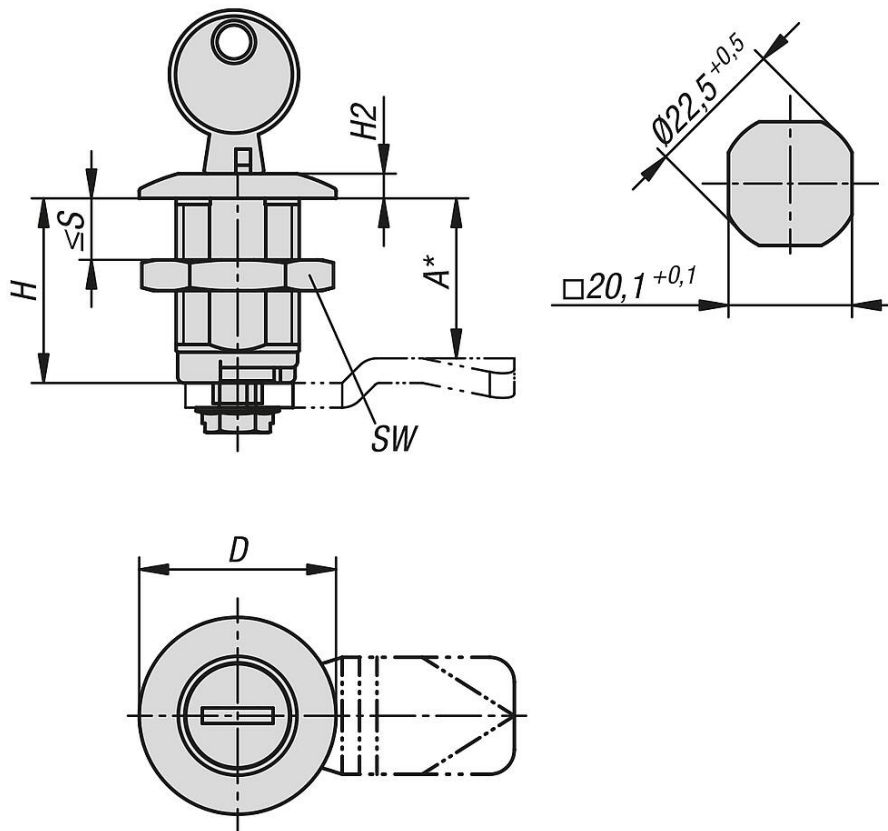
Please order required tongue version separately. Every tongue can be combined with every housing.

*Dimension A results from the combination of the quarter turn lock and the tongue and is specified with the matching tongues.

Accessory:

Tongue steel, with stop 05564-15.
Key for quarter-turn lock 05586.

Drawings



Overview of items

Order No.	D	H	H2	S max.	SW	Actuation
05564-14-30321	32	30	4	20	27	key single-key system
05564-14-50321	32	50	4	40	27	key single-key system