

## Item description/product images



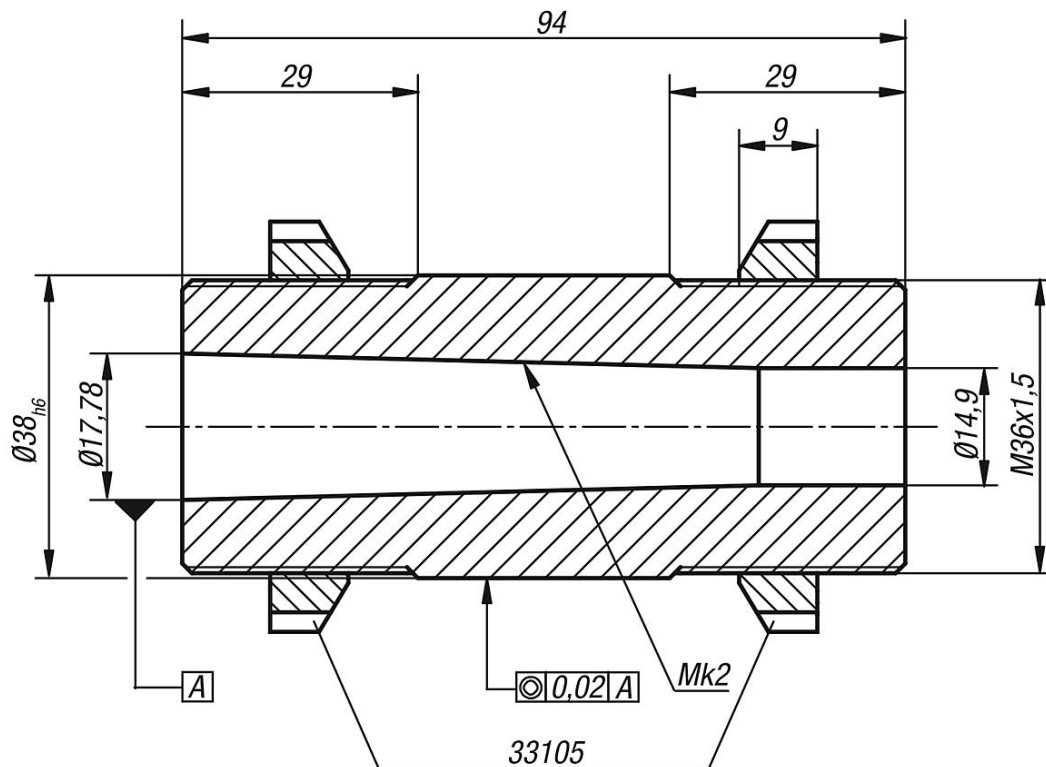
## Description

**Material:**  
Body 1.7220

**Version:**  
Black oxidised.

**Note:**  
Matching fixed centre 33190.

## Drawings



## Overview of items

Order No.	Dimensions
33184-02	see drawing