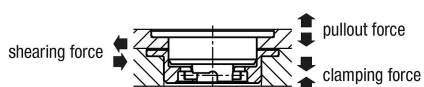


Item description/product images



Description

Material:

Housing and grip stainless steel 1.4310.
Pin stainless steel 1.4305.

Version:

Bright.

Note:

Stainless steel M2,5 fastening screws are included.
Mounting option 1 for plate thickness 6 mm.
Mounting option 2 for plate thickness >6 mm.

A gap of more than 0.1 mm appears between the plates if the retaining force is exceeded.

Type of operation:

Ensure that the twist grip is in the "OFF" position.
Insert the quarter-turn clamp lock into the clamping plate and turn the grip to the 'ON' position.
When fully clamped, an audible click will be heard.

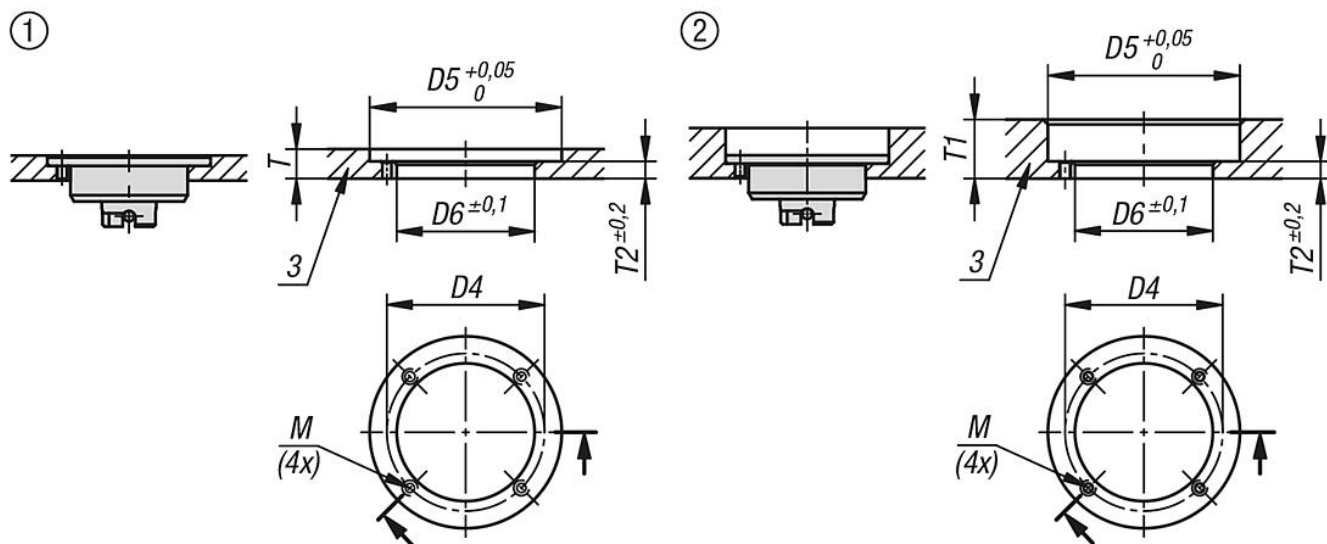
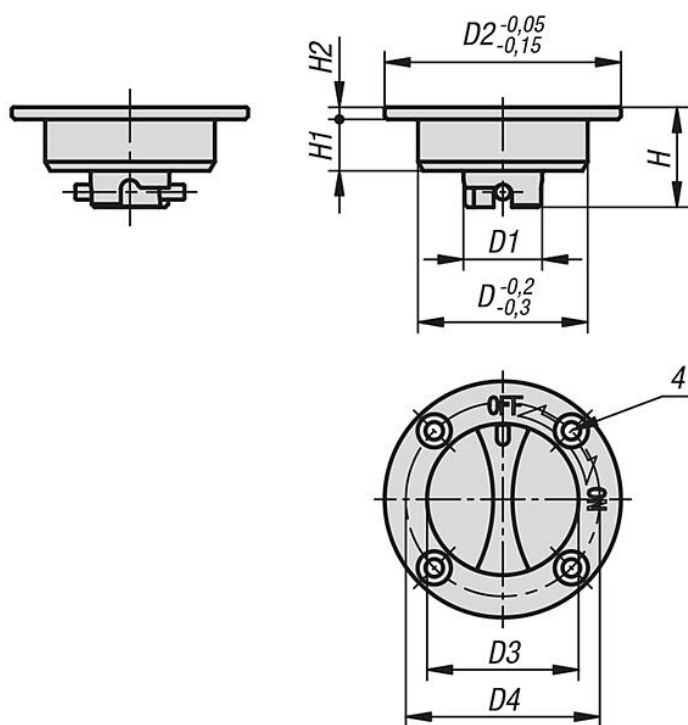
Accessory:

Stainless steel clamping plate 05592-05 for quarter-turn clamp lock with recessed grip.

Drawing reference:

- 1) Mounting option 1
- 2) Mounting option 2
- 3) Plate
- 4) Suitable for M 2.5 countersunk head fastening screws

Drawings



Overview of items

Order No.	D	D1	D2	D3	D4	D5	D6	H	H1	H2	M	T	T1	T2
05592-03-12813	28	13	39	25	32	39	28	16,5	8,5	2	M02,5	6	>6	3,5

Order No.	Shearing force kN	Clamping force N	Pullout force F kN	Holding force N	Temperature resistance
05592-03-12813	2,5	30	1	30	$\leq 180^\circ\text{C}$

