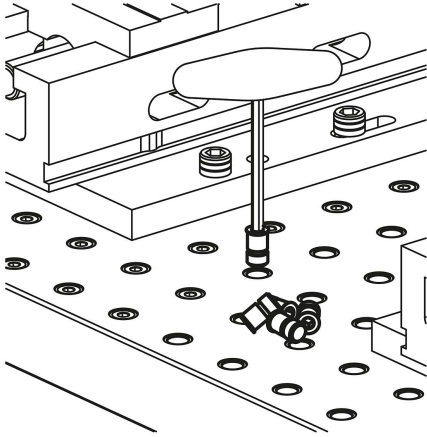


Item description/product images



Description

Material:
Aluminium.

Version:
Bright.

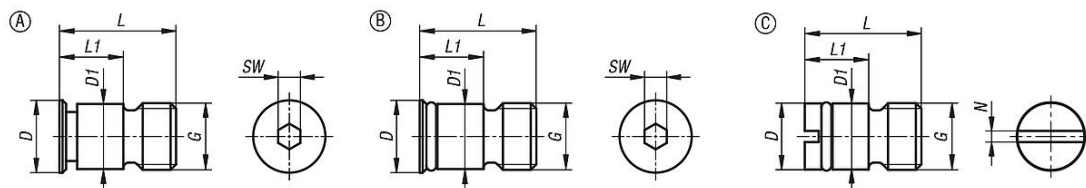
Note:
Use these plugs to seal grid holes and protect them from swarf and dirt. Leave the protection plugs in holes not in use! Aluminium plugs are used when aggressive coolants are used or when cutting dry.

Advantages:
The sealing washers (Form B and C) prevent coolant getting into the grid holes.

On request:
Different colours for differentiation on base units with grid holes.

Drawing reference:
Form A: with hex socket, without O-ring
Form B: with hex socket, with O-ring
Form C: with slot, with O-ring

Drawings



Overview of items

Order No.	Form	Version 1	Version 2	D	D1	G	L	L1	N	SW
03150-11-1000815	A	with hexagon socket	without O-ring	12,6	11,9	M8	15	7,5	-	4
03150-11-1001221	A	with hexagon socket	without O-ring	13	11,9	M12	21	11,5	-	4
03150-11-1001626	A	with hexagon socket	without O-ring	17	15,9	M16	26	15	-	5
03150-11-1002035	A	with hexagon socket	without O-ring	21	19,9	M20	35	19	-	5
03150-11-2100815	B	with hexagon socket	with o-ring	12,6	11,9	M8	15	7,5	-	4
03150-11-2101221	B	with hexagon socket	with o-ring	13	11,9	M12	21	11,5	-	4
03150-11-2101626	B	with hexagon socket	with o-ring	17	15,9	M16	26	15	-	5
03150-11-2102035	B	with hexagon socket	with o-ring	21	19,9	M20	35	19	-	5
03150-11-3110815	C	with slot	with o-ring	11,9	11,9	M8	15	7,5	2	-
03150-11-3111221	C	with slot	with o-ring	11,9	11,9	M12	21	11,5	2	-
03150-11-3111626	C	with slot	with o-ring	15,9	15,9	M16	26	15	2	-
03150-11-3112035	C	with slot	with o-ring	19,9	19,9	M20	35	19	2	-