

## Item description/product images

**Description****Material:**

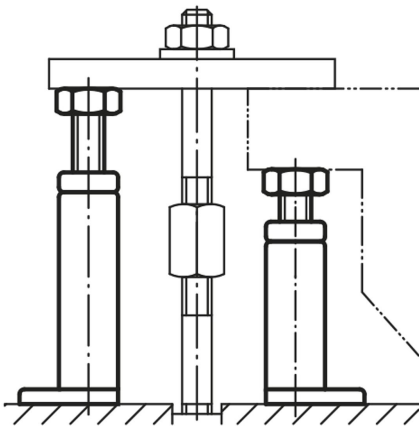
Carbon steel.

**Version:**

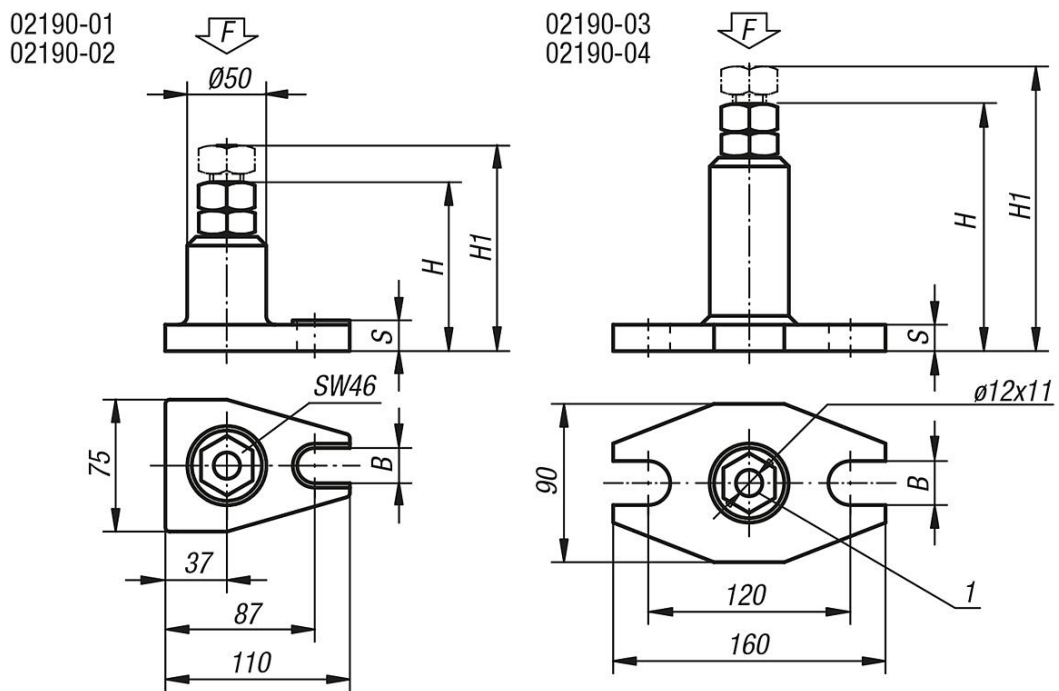
Hammertone, spindle with 30 x 6 trapezoidal thread.

**Drawing reference:**

1) centring hole for 02210



Drawings



Overview of items

Order No.	Adjustment range	base plate	H	H1	B	S	F kN
02190-01	100 - 140	76x111	100	140	18	17	60
02190-02	140 - 200	76x111	140	200	18	17	60
02190-03	200 - 320	90x160	200	320	22	22	40
02190-04	320 - 540	90x160	320	540	22	25	25