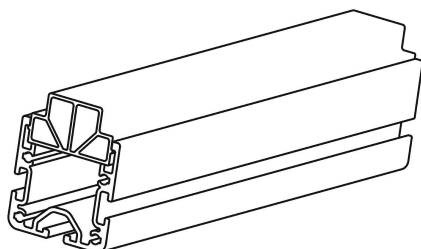
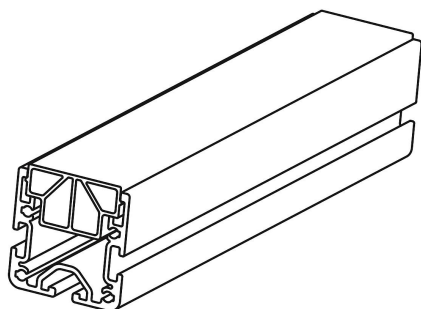


Item description/product images



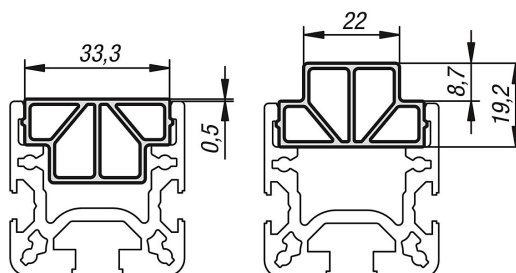
Description

Material:
Polyethylene

Version:
black.

Note:
Low-wear slide rail with low slide friction for easy handling of goods. Slide rails can also be used as cover protection, impact protection, guide rails and as a riser plate between ball and brush elements.
The slide rail can be mounted in two different heights.
Suitable for aluminium profiles Type B and I.

Drawings



Overview of items

Order No.	Length
10448-08-33X2000	2000