

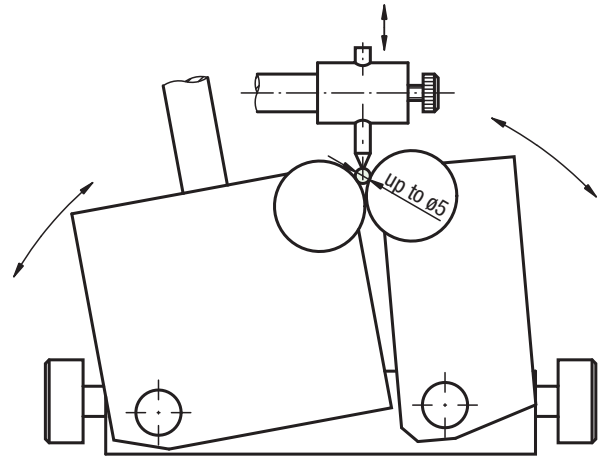
Position of rollers

Note:

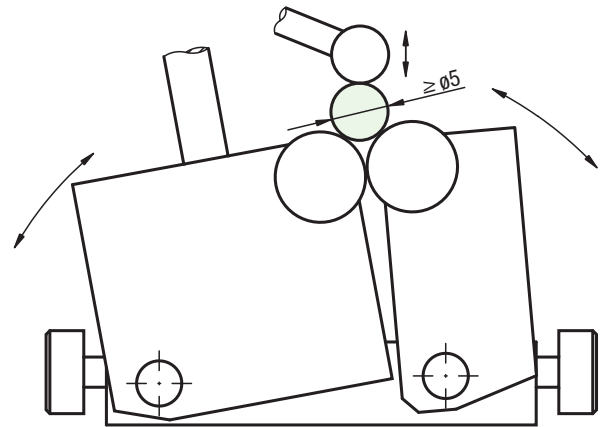
The test range can be extended to \varnothing 80 mm by positioning the rollers.

The teflon pin allows parts as small as \varnothing 0.5 mm to be checked.

teflon contact pin instead of contact roller



measuring rollers in closed position



measuring rollers in opened position

