

## Item description/product images



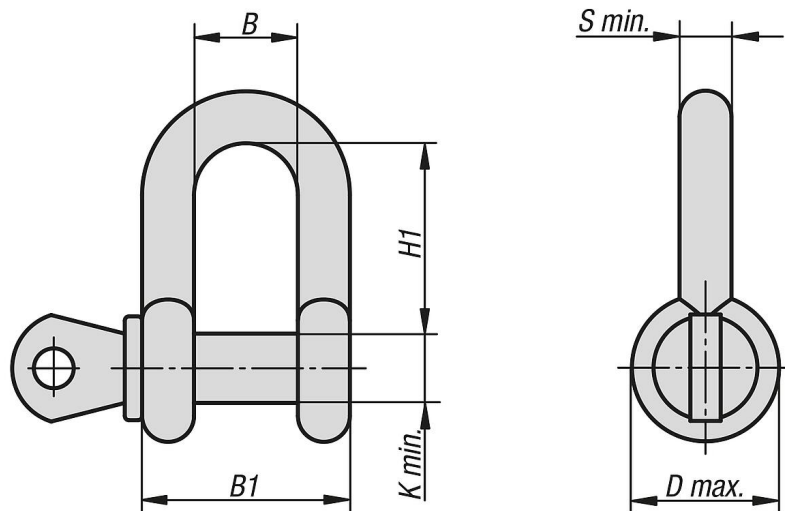
## Description

**Material:**  
Steel.

**Version:**  
D form

**Note:**  
Shackles and bolts may vary in colour.  
Paint may cause the thread to be stiff.

## Drawings



## Overview of items

Order No.	B	B1	D max.	S min.	K min.	H1	Inches	Permissible load kg
07716-0050008	12	26	22	6	8	24,6	1/4	500
07716-0075010	13,5	29	25,5	8	9,5	27,2	5/16	750
07716-0100011	16,8	36	28,5	9,5	11	32,5	3/8	1000
07716-0150012	19	40	31,5	11	12,5	37,6	7/16	1500
07716-0200016	20,6	47	35	12,5	15,5	40,7	1/2	2000
07716-0325019	27	59	47,5	15,5	19	50	5/8	3250
07716-0475022	31,8	70	54	19	22	59,5	3/4	4750
07716-0650025	36,6	80	60	22	25	71	7/8	6500
07716-0850028	43	93	66,5	25	28,5	80,5	1	8500

