

## Item description/product images



## Description

### Material:

Hinges A2 stainless steel.  
Spring Bezinal steel.  
Washers POM.

### Version:

Stainless steel bright.

### Note:

The hinges are fitted with an integrated steel tension spring. This enables automatic opening and closing of doors and hatches.  
Opening angle 270°.

### Opening spring torque:

$M(0^\circ)$ : 0.35 N.m /  $M(90^\circ)$ : 0.24 N.m /  $M(180^\circ)$ : 0.12 N.m

### Closing spring torque:

$M(0^\circ)$ : 0.12 N.m /  $M(90^\circ)$ : 0.24 N.m /  $M(180^\circ)$ : 0.35 N.m

Fastened using DIN 912/ DIN EN ISO 4762 cap screws.

The specified load values for the hinges are non-binding guide values without consideration of safety factors and exclude any liability. The values given are for information purposes only and do not constitute a legally binding assurance of properties.

These load values were determined under laboratory conditions. Each user must determine individually whether the hinge is suitable for the respective application. Different materials onto which the hinges are installed and the type of mounting, weather conditions and wear can influence the determined values.

### Accessory:

DIN 912/ DIN EN ISO 4762 socket head screw.

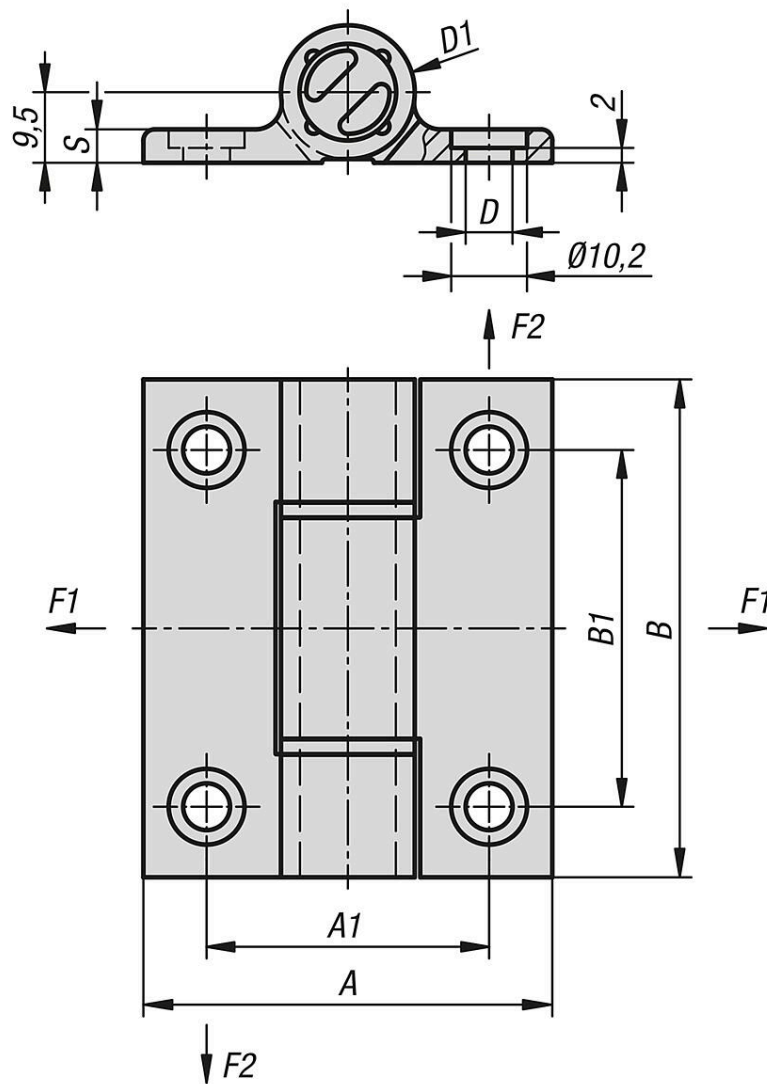
Free-swinging hinges 27906-055652.

Free-swinging hinges 27906-0556521.

Free-swinging hinges 27906-155652.

Free-swinging hinges 27906-1556521.

Drawings



Overview of items

Spring hinges, stainless steel, 0.35 Nm

Order No.	Version 1	A	A1	B	B1	D	D1	F1 N	F2 N	S	Kind of fastening
27904-81-55670	spring open	55	38	67	48	6,2	18	5885	14669	4,5	fastening holes
27904-81-55671	spring closed	55	38	67	48	6,2	18	5885	14669	4,5	fastening holes