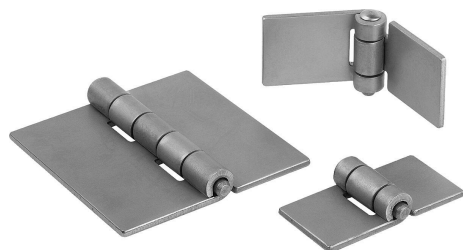


Item description/product images



Description

Material:
Steel or stainless steel.

Version:
Profile steel bright.
Stainless steel 1.4301.

Note:
The loading values given for the hinges are non-binding reference values without consideration of safety factors and exclude any liability. The values given are for information purposes only and do not constitute a legally binding assurance of properties.

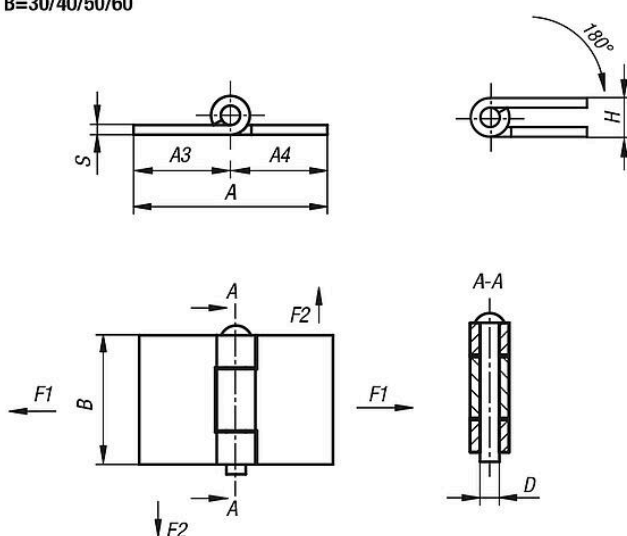
The load values have been determined under laboratory conditions. Each user must determine individually whether the hinge is suitable for the respective application.

Different materials attached to the hinge and the type of attachment used, meteorological conditions and wear can effect the calculated values.

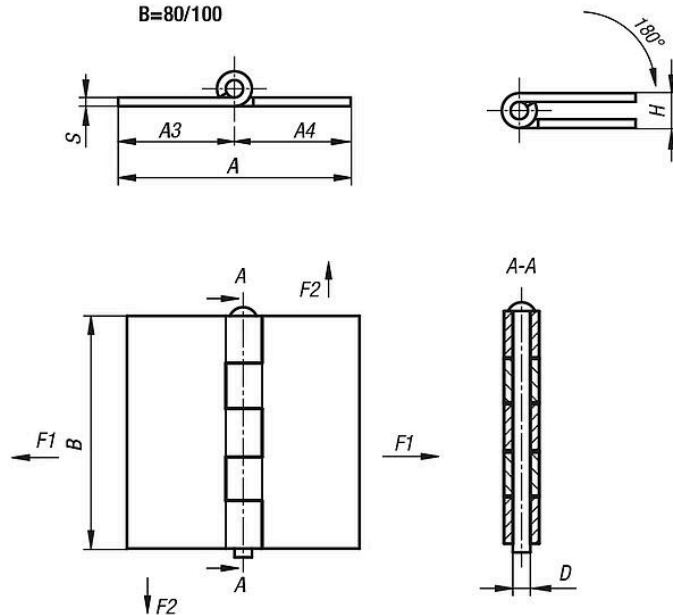
Assembly:
Through welding or customised holes.

Drawings

B=30/40/50/60



B=80/100



Overview of items

Order No.	Main material	A	B	D	A3	A4	H	S	F1 N	F2 N
27888-02-00200200402	steel	40	40	6	20	20	10	2	850	300
27888-02-00250250502	steel	50	50	6	25	25	10	2	1050	650
27888-02-00300300302	steel	60	30	6	30	30	10	2	650	250
27888-02-00300300402	steel	60	40	6	30	30	10	2	800	500
27888-02-00300300602	steel	60	60	6	30	30	10	2	1300	800
27888-02-00400400302	steel	80	30	6	40	40	10	2	600	300
27888-02-00400400402	steel	80	40	6	40	40	10	2	750	550

Overview of items

Order No.	Main material	A	B	D	A3	A4	H	S	F1 N	F2 N
27888-02-00400400602	steel	80	60	6	40	40	10	2	1400	850
27888-02-00400400802	steel	80	80	6	40	40	10	2	1700	1250
27888-02-00500501002	steel	100	100	6	50	50	10	2	2350	1600
27888-02-00300300303	steel	60	30	6	30	30	12	3	800	1200
27888-02-00300300403	steel	60	40	6	30	30	12	3	800	1200
27888-02-00300300603	steel	60	60	6	30	30	12	3	1200	1800
27888-02-00400400303	steel	80	30	6	40	40	12	3	800	800
27888-02-00400400403	steel	80	40	6	40	40	12	3	800	1000
27888-02-00400400803	steel	80	80	6	40	40	12	3	1200	1800
27888-02-00500501003	steel	100	100	6	50	50	12	3	1200	1800
27888-02-00300300305	steel	60	30	6	30	30	16	5	2600	850
27888-02-00300300405	steel	60	40	6	30	30	16	5	3650	1300
27888-02-00300300605	steel	60	60	6	30	30	16	5	5050	1950
27888-02-00600600305	steel	120	30	6	60	60	16	5	2750	1350
27888-02-00600600405	steel	120	40	6	60	60	16	5	3700	1400
27888-02-00600600505	steel	120	50	6	60	60	16	5	4850	2200
27888-02-00600600605	steel	120	60	6	60	60	16	5	5100	3000
27888-02-00600600805	steel	120	80	6	60	60	16	5	6800	4300
27888-02-00800800805	steel	160	80	6	80	80	16	5	6850	4200
27888-02-00800800606	steel	160	60	8	80	80	20	6	6100	2800
27888-02-00800800806	steel	160	80	8	80	80	20	6	9200	2800
27888-02-01001000806	steel	200	80	8	100	100	20	6	9250	4400
27888-02-00800801008	steel	160	100	8	80	80	24	8	9500	6000
27888-02-01001001008	steel	200	100	8	100	100	24	8	11100	5950
27888-02-010010010010	steel	200	100	13	100	100	33	10	14900	5300
27888-02-10200200402	stainless steel A2	40	40	6	20	20	10	2	750	250
27888-02-10250250502	stainless steel A2	50	50	6	25	25	10	2	900	550
27888-02-10300300302	stainless steel A2	60	30	6	30	30	10	2	550	200
27888-02-10300300402	stainless steel A2	60	40	6	30	30	10	2	700	400
27888-02-10300300602	stainless steel A2	60	60	6	30	30	10	2	1100	650
27888-02-10400400302	stainless steel A2	80	30	6	40	40	10	2	500	250
27888-02-10400400402	stainless steel A2	80	40	6	40	40	10	2	650	450
27888-02-10400400602	stainless steel A2	80	60	6	40	40	10	2	1200	700
27888-02-10400400802	stainless steel A2	80	80	6	40	40	10	2	1450	1050
27888-02-10500501002	stainless steel A2	100	100	6	50	50	10	2	2000	1300
27888-02-10300300303	stainless steel A2	60	30	6	30	30	12	3	700	1000
27888-02-10300300403	stainless steel A2	60	40	6	30	30	12	3	700	1000
27888-02-10300300603	stainless steel A2	60	60	6	30	30	12	3	1000	1500
27888-02-10400400303	stainless steel A2	80	30	6	40	40	12	3	700	600
27888-02-10400400403	stainless steel A2	80	40	6	40	40	12	3	700	800
27888-02-10400400803	stainless steel A2	80	80	6	40	40	12	3	1000	1500
27888-02-10500501003	stainless steel A2	100	100	6	50	50	12	3	1000	1500
27888-02-10300300305	stainless steel A2	60	30	6	30	30	16	5	2250	700
27888-02-10300300405	stainless steel A2	60	40	6	30	30	16	5	3150	1050
27888-02-10300300605	stainless steel A2	60	60	6	30	30	16	5	4350	1600
27888-02-10600600305	stainless steel A2	120	30	6	60	60	16	5	2350	1100
27888-02-10600600405	stainless steel A2	120	40	6	60	60	16	5	3200	1150
27888-02-10600600505	stainless steel A2	120	50	6	60	60	16	5	4150	1800
27888-02-10600600605	stainless steel A2	120	60	6	60	60	16	5	4400	2450
27888-02-10600600805	stainless steel A2	120	80	6	60	60	16	5	5850	3550
27888-02-10800800805	stainless steel A2	160	80	6	80	80	16	5	5900	3450
27888-02-10800800606	stainless steel A2	160	60	8	80	80	20	6	5250	2300
27888-02-10800800806	stainless steel A2	160	80	8	80	80	20	6	7900	2300
27888-02-11001000806	stainless steel A2	200	80	8	100	100	20	6	7950	3600
27888-02-10800801008	stainless steel A2	160	100	8	80	80	24	8	8150	4900
27888-02-11001001008	stainless steel A2	200	100	8	100	100	24	8	9550	4900
27888-02-110010010010	stainless steel A2	200	100	13	100	100	33	10	12800	4350

