

Item description/product images



Description

Material:

Carbon steel.

Version:

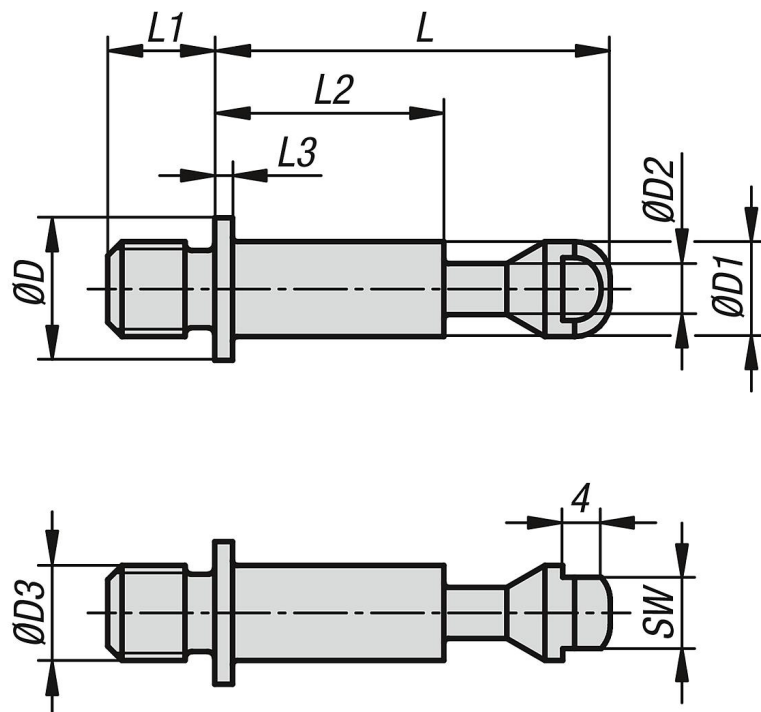
Tempered and black oxidised.

Note:

These draw bolts for the pneumatic pull clamp are screwed directly into the workpiece. This enables the workpiece to be quickly connected to and released from the pull clamp over a pneumatic valve.

The system can also be used as a zero-point clamping system.

Drawings



Overview of items

Order No.	D	D1	D2	D3	L	L1	L2	L3	SW
04403-01-108090	12	8	4,3	M8	38	9	24	1,5	6

Overview of items

Order No.	D	D1	D2	D3	L	L1	L2	L3	SW
04403-01-110011	12	8	4,3	M10	38	11	24	1,5	6
04403-01-112013	20	12	6,5	M12	48	13	31,5	2	10
04403-01-116017	20	12	6,5	M16	48	17	31,5	2	10