

Item description/product images



Description

Material:

Steel.

Version:

Roller rim nickel-plated.

Note:

The roller rim and ball bearing are held firmly held together by a circlip.

The load ratings refer to the ball bearing.

On request:

Heavy-duty versions.

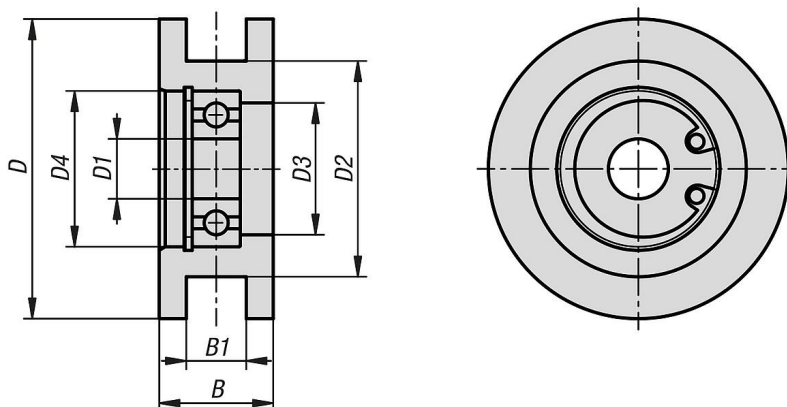
Roller rim black oxidised or black polyacetal.

Stainless steel guide rollers.

Accessory:

Matching pins 95102.

Drawings



Overview of items

Guide rollers, steel with flange both sides

Order No.	B	B1	D	D1	D2	D3	D4	Ball bearing	Dynamic load rating N	Static load rating N
95101-25-003012	12	5	30	6	22	13	17	606-ZZ	2260	840
95101-25-004016	16	7	40	8	30	18	22	608-ZZ	3300	1360
95101-25-005019	19	10	50	10	36	22	26	6000-ZZ	4550	1970
95101-25-006023	23	13	60	12	42	26	32	6201-ZZ	6800	3050
95101-25-007028	28	17	70	15	46	29	35	6202-ZZ	7650	3700

