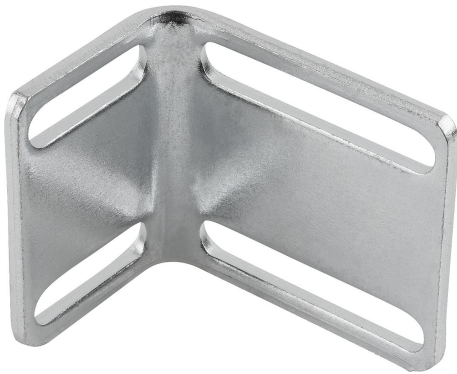


Item description/product images



Description

Material:

Steel.

Version:

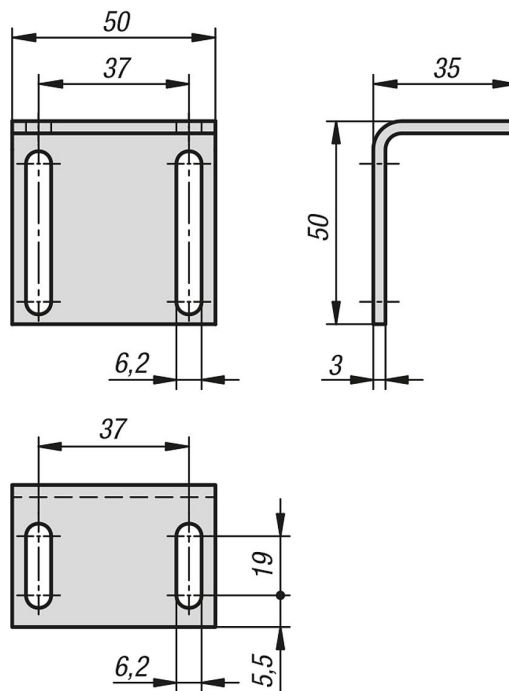
Electro zinc-plated.

Note:

These angle brackets enable the ball catch to be flexibly positioned.



Drawings



Overview of items

Order No.	Dimensions
03075-10-9503550	see drawing

