

## Item description/product images



## Description

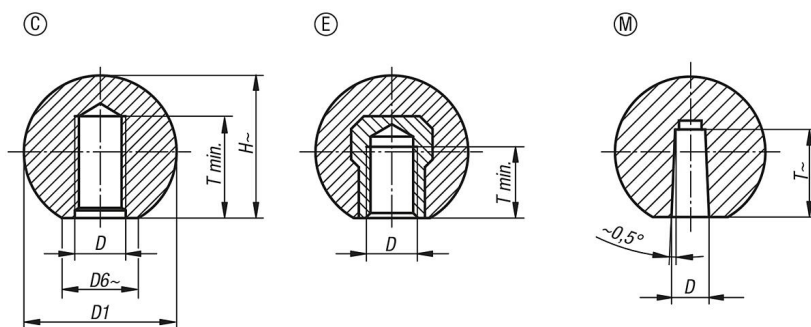
**Material:**  
Black thermoplastic.  
Bush steel.

**Version:**  
Steel electro zinc-plated.

**On request:**  
Other colours.

**Drawing reference:**  
Form C: plastic thread  
Form E: tapped bush  
Form M: tapered hole

## Drawings



## Overview of items

Order No.	Form	D	D1	D6	H	T
06247-11604	C	M4	16	8	15	6
06247-11605	C	M5	16	8	15	7,5
06247-12005	C	M5	20	12	18	7,5
06247-12006	C	M6	20	12	18	9
06247-12506	C	M6	25	15	22,5	9
06247-12508	C	M8	25	15	22,5	12
06247-13208	C	M8	32	18	29	12
06247-13210	C	M10	32	18	29	15
06247-14010	C	M10	40	22	37	15
06247-14012	C	M12	40	22	37	15
06247-22005	E	M5	20	12	18	7,5
06247-22006	E	M6	20	12	18	7,5
06247-22506	E	M6	25	15	22,5	9
06247-22508	E	M8	25	15	22,5	9
06247-23208	E	M8	32	18	29	12
06247-23210	E	M10	32	18	29	12
06247-32005	M	5	20	12	18	12
06247-32506	M	6	25	15	22,5	15
06247-32508	M	8	25	15	22,5	15
06247-33208	M	8	32	18	29	15
06247-33210	M	10	32	18	29	15
06247-34010	M	10	40	22	37	20
06247-34012	M	12	40	22	37	20

