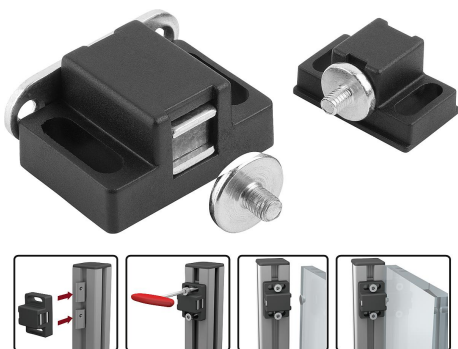


Item description/product images



**Description**

**Material:**

Polyamide fibreglass reinforced  
 DIN 921 pan head screw, steel.  
 Retaining plate, steel.

**Version:**

Black.  
 Pan head screw and retaining plate electro zinc-plated.

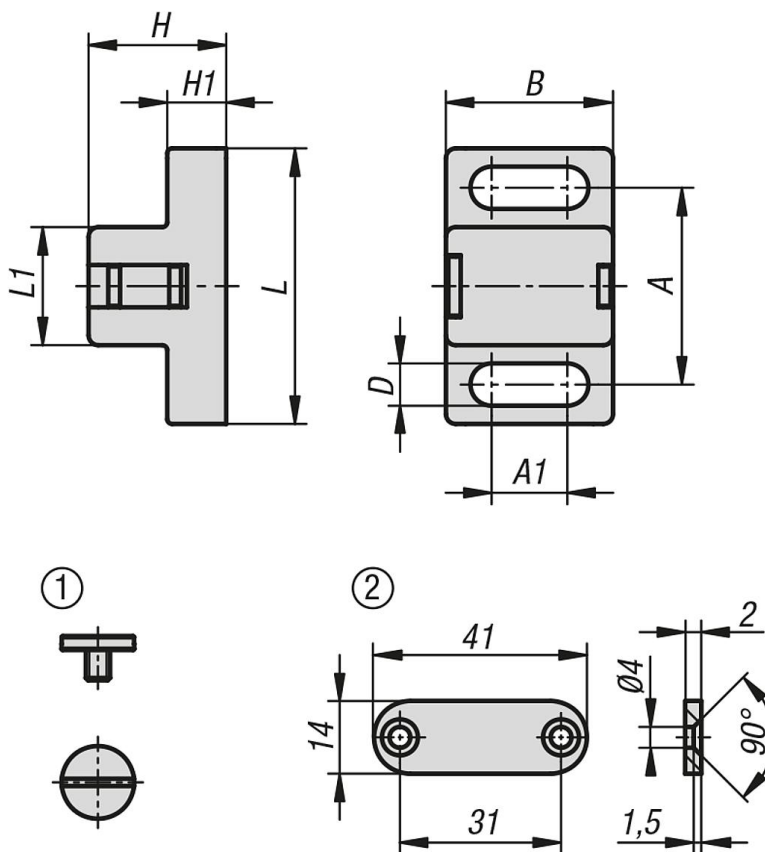
**Note:**

Magnetic catch for swing and sliding doors. The elongated holes enable flexible positioning on aluminium profiles and panel elements.

**Drawing reference:**

- 1) Pan head screw
- 2) Retaining plate

Drawings



Overview of items

Order No.	A	A1	B	D	H	H1	L	L1	Retaining force F1 N	Retaining force F2 N	Counterpart
03075-11-17281	20	7,7	17	4,3	14	6	28	12	5	3	M4x5 pan head screw
03075-11-28401	30	13,5	28	6,3	20	10	40	19	20	10	M5x6 pan head screw
03075-11-28402	30	13,5	28	6,3	20	10	40	19	20	10	M5x6 pan head screw and 14x41x2 retaining plate

