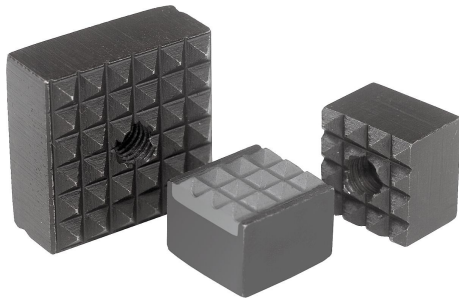


Item description/product images



Description

Material:

Hardened tool steel or carbide.

Version:

Black oxidised.

Note:

Grippers and inserts are ideal for use in clamping arms, gripping systems, clamping fixtures, clamping jaws and self-aligning pads.

Grippers transfer very high torque values, even with hard materials and surface irregularities. Grippers guarantee above average holding forces at high cutting forces.

The serrated carbide tips are soldered in.

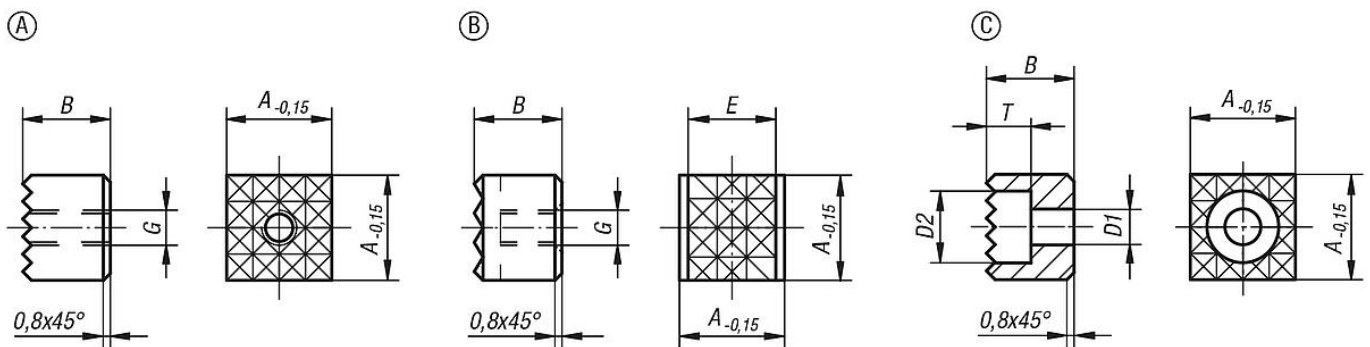
Drawing reference:

Form A: tool steel

Form B: tool steel, carbide diamond grip

Form C: tool steel

Drawings



Overview of items

Order No.	Form	A	B	D1	D2	E	G	T	Serration
07115-1005	A	10	10	-	-	-	M5	-	extra fine
07115-101205	A	10	12	-	-	-	M5	-	extra fine
07115-1205	A	12	10	-	-	-	M5	-	fine
07115-121205	A	12	12	-	-	-	M5	-	fine
07115-1606	A	16	10	-	-	-	M6	-	fine
07115-161206	A	16	12	-	-	-	M6	-	fine
07115-2005	A	20	10	-	-	-	M5	-	fine
07115-201205	A	20	12	-	-	-	M5	-	fine
07115-2506	A	25	10	-	-	-	M6	-	fine
07115-251206	A	25	12	-	-	-	M6	-	fine
07115-12057	B	12	10	-	-	10,3	M5	-	fine
07115-1210048	C	12	10	4,5	8	-	-	5,6	fine
07115-1212048	C	12	12	4,5	8	-	-	5,6	fine
07115-1610048	C	16	10	4,5	8	-	-	5,6	fine
07115-1612048	C	16	12	4,5	8	-	-	5,6	fine
07115-2010058	C	20	10	5,5	10	-	-	6,6	fine
07115-2012058	C	20	12	5,5	10	-	-	6,6	fine
07115-2510068	C	25	10	6,6	11	-	-	7,6	fine
07115-2512068	C	25	12	6,6	11	-	-	7,6	fine

