

## Item description/product images

INCH  
Parts

## Description

## Material:

Grip thermoplastic.

Bush steel 5.8 or stainless steel 1.4305.

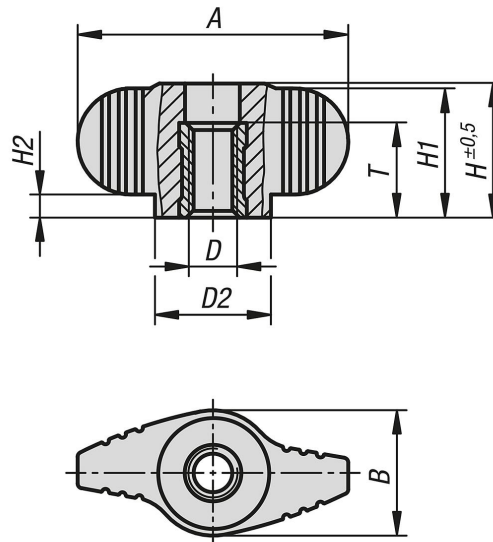
## Version:

Grip black grey.

Steel trivalent blue passivated.

Stainless steel bright.

## Drawings



## Overview of items

Order No.	Component material	A	B	D	D2	H	H1	H2	T
06652-10AE	steel	28	13	8-32	12	14,3	13,3	2,3	10
06652-10A1	steel	28	13	10-32	12	14,3	13,3	2,3	10
06652-10A2	steel	28	13	1/4-20	12	14,3	13,3	2,3	10
06652-18A2	steel	40	16	1/4-20	14,6	19,8	19	4	14
06652-18A3	steel	40	16	5/16-18	14,6	19,8	19	4	14
06652-100AE	stainless steel	28	13	8-32	12	14,3	13,3	2,3	10
06652-100A1	stainless steel	28	13	10-32	12	14,3	13,3	2,3	10
06652-100A2	stainless steel	28	13	1/4-20	12	14,3	13,3	2,3	10
06652-108A2	stainless steel	40	16	1/4-20	14,6	19,8	19	4	14
06652-108A3	stainless steel	40	16	5/16-18	14,6	19,8	19	4	14