

## Item description/product images



## Description

**Material:**

Steel.

**Version:**

Body tempered and black oxidised.

Square washer case hardened and brass-plated.

**Note:**

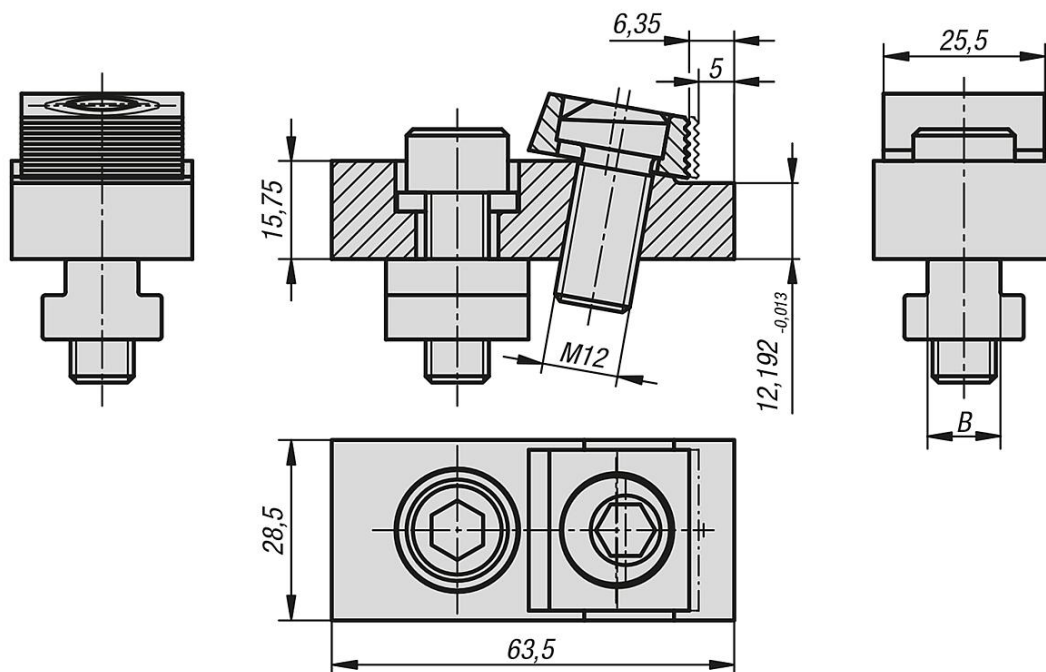
Also called riser clamps.

These cam clamps with riser can be used directly on machine tables. A positive down force is exerted during clamping.

**On request:**

Replacement cam screws.

## Drawings



## Overview of items

Order No.	B Slot width	Clamping force kN
04437-12	12	12
04437-14	14	12
04437-16	16	12
04437-18	18	12

