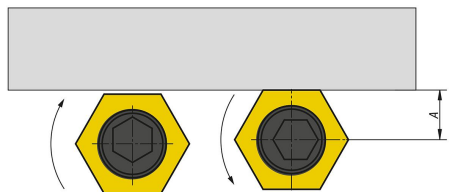
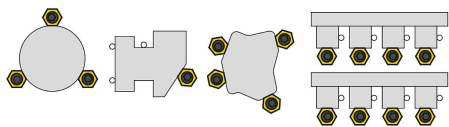
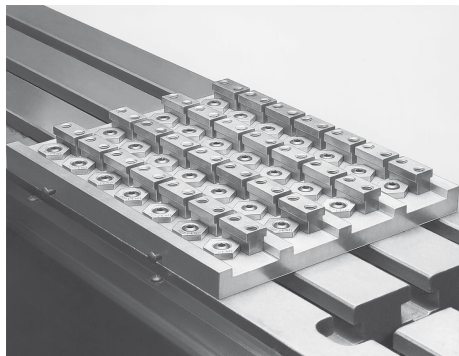
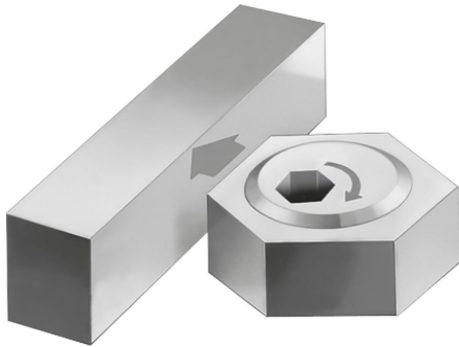


Item description/product images



Description

Material:

Cam screw carbon steel.
Hex washer brass.

Version:

Cam screw tempered to 10.9 and black oxidised.

Note:

The minimal height of this fixture clamp enables numerous clamping problems in fixture and equipment construction to be solved. The brass hex washer offers a gentle yet extremely stable and safe clamping of workpieces. By using several fixture clamps entire pallets can be set-up.

Clockwise rotation is recommended for clamping. The hex socket on the screw should be on the right after tightening. (Screw in the cam screw as far as it will go, then turn it back one turn).

"A" = distance from workpiece to screw centre (cam screw).

Assembly:

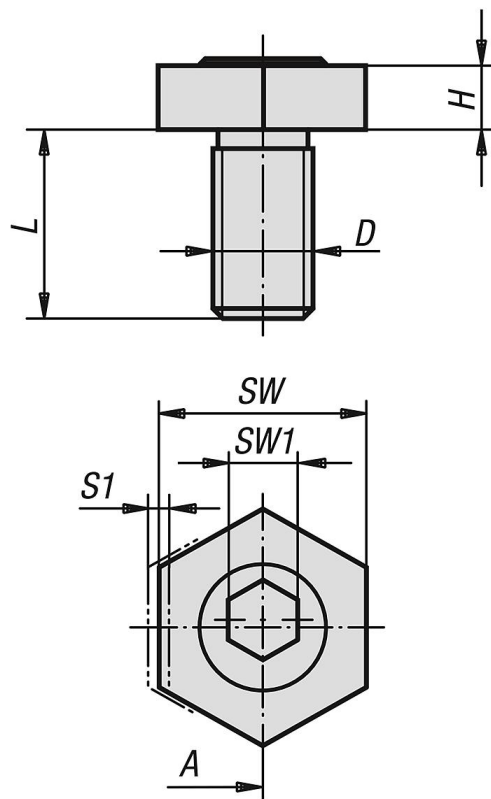
Clamping method:

1. Screw the cam screw in as far as it will go.
2. Screw the cam screw back one turn.
3. Position the workpiece.
4. Turn the cam screw clockwise to clamp the workpiece. (The hex socket on the cam screw should now be on the right).

On request:

Replacement screw for cam screws 04521-10.

Drawings



Overview of items

Order No.	A	D	H	L	SW	SW1	S1 (travel)	Clamping force kN	Tightening torque max. Nm	Accessories NLM
04435-04	3,8	M4	2,8	10	8	3	0,76	0,91	2	04521-10-0410
04435-06	7,8	M6	4,8	12	16	4	1,01	3,56	8,5	04521-10-0612
04435-08	10,2	M8	4,8	15	20,6	5	1,01	3,56	11,3	04521-10-0815
04435-10	10,2	M10	6,4	20	20,6	7	1,27	8,89	28	04521-10-1020
04435-12	12,7	M12	9,5	25	25,4	8	2,03	17,79	88	04521-10-1225
04435-16	15	M16	12,7	30	30,2	12	2,54	26,68	125	04521-10-1630