

Item description/product images



Description

Material:

Housing, clamping ring and handles, carbon steel.
Grip thermoset PF 31.

Version:

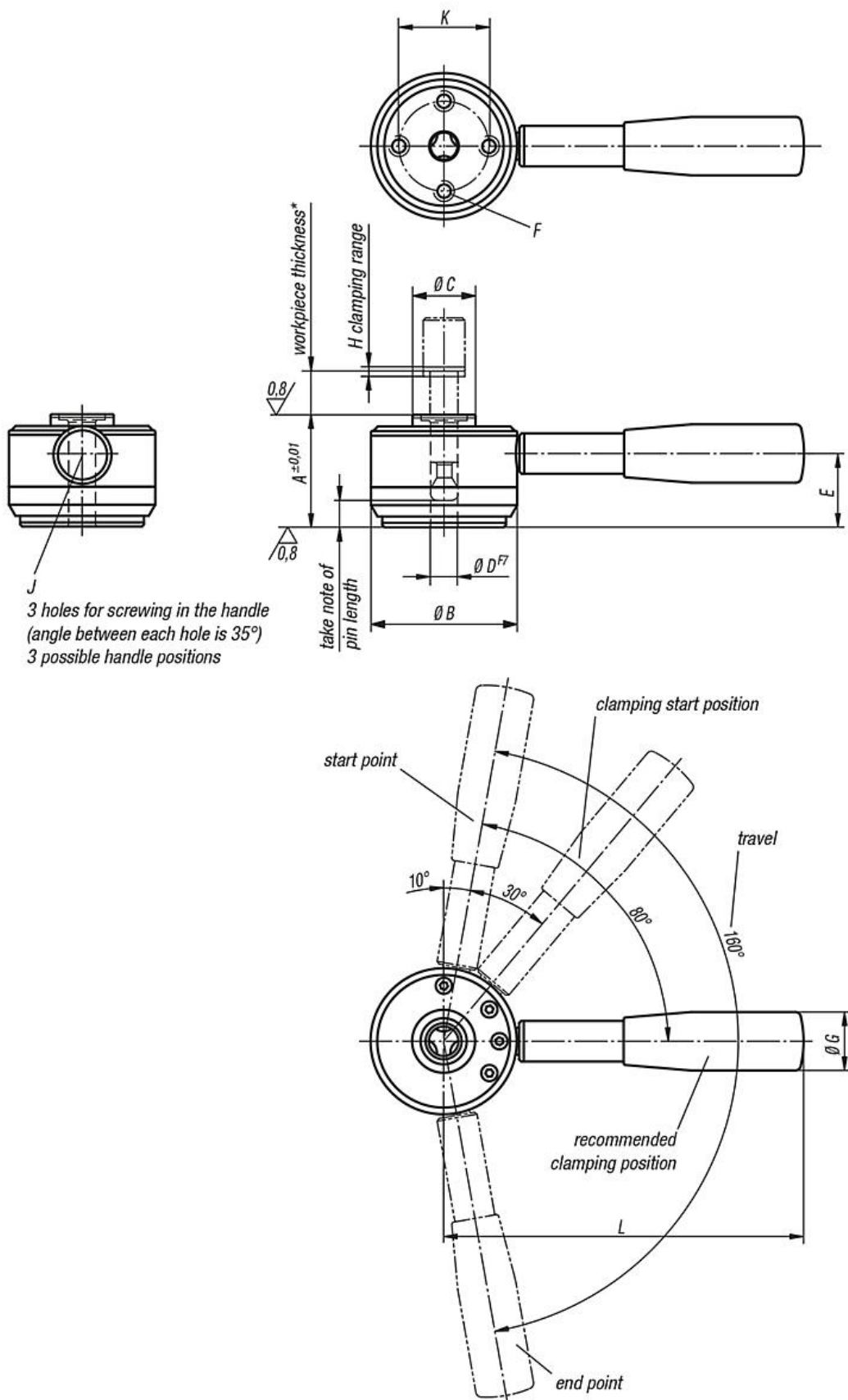
Housing and clamping ring hardened and black oxidised.
Handles black oxidised.
Grip black.

Note:

When clamping with a high force clamping pin the recommended workpiece tolerances must be maintained. The grip lever must be lay between the recommended clamping position and end point for safe clamping.

* Max. workpiece thickness see clamping pin 04400 (dimension C).

** Permitted manual force for handle.



J
3 holes for screwing in the handle
(angle between each hole is 35°)
3 possible handle positions

Overview of items

Order No.	A	B	C	D	E	F	G	H	J	K	L	Clamping force N	Recommended workpiece thickness tolerance	Hand force FH N	Holding force N
04400-506501	50	65	28	12	36	M8x14	26	2	10	40	160	6000	±0,5*	600**	8000
04400-638001	63	80	34	16	45	M10x18	28	2,5	12	50	180	8000	±0,8*	600**	14000