

Item description/product images



Description

Material:

Carbon steel.

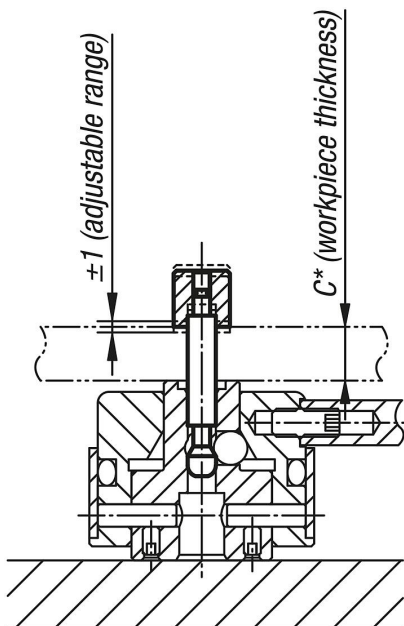
Version:

Pins tempered and ground.

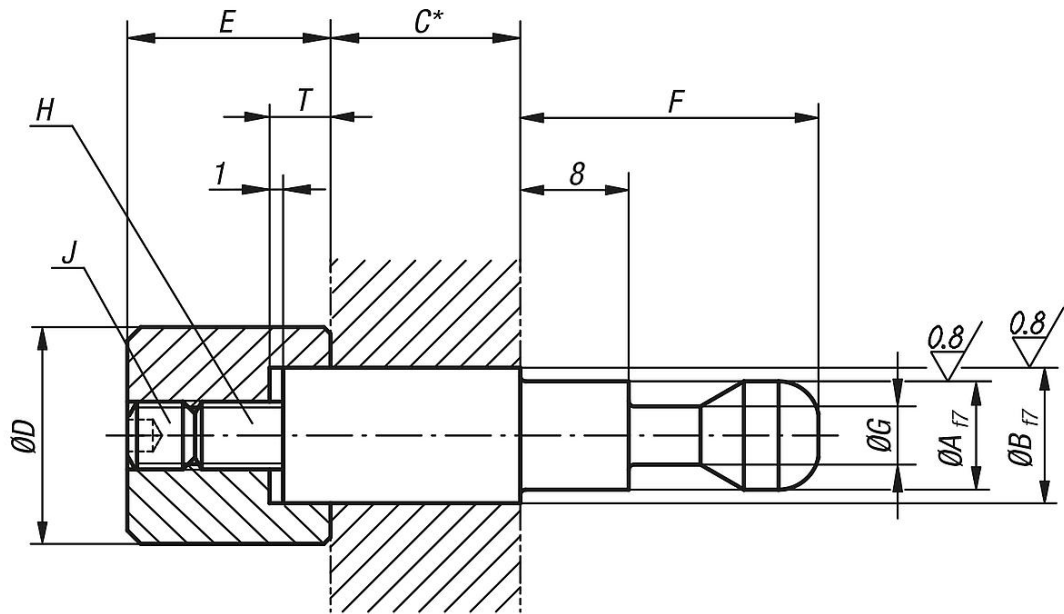
Knurled knob tempered, black oxidised.

Note:

* The clamping pin can be altered to suit the workpiece thickness.



Drawings



Overview of items

Order No.	A	B	C	D	E	F	G	H	J	T
04400-005050	5	5	50	10	10	17	3	M3	M3x4	3
04400-006050	5	6	50	10	10	17	3	M3	M3x4	3
04400-008080	8	8	80	16	15	22	4,3	M5	M5x5	4,5
04400-010080	8	10	80	16	15	22	4,3	M5	M5x5	4,5