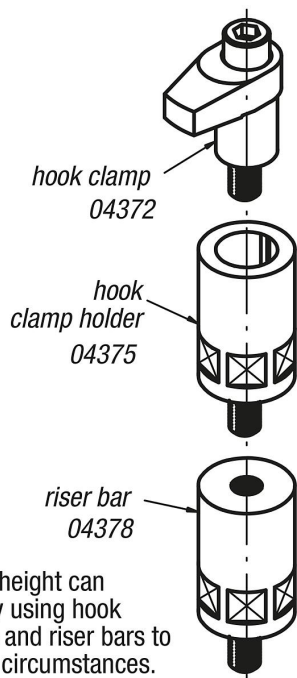


Item description/product images



The clamping height can be adjusted by using hook clamp holders and riser bars to suit individual circumstances.

Description

Material:

Carbon steel, tempered.

Version:

Form A-C: black oxidised. Shaft diameter ground.

Form D: black oxidised.

Note:

The stated clamping forces ($F_{max.}$) and tightening torques are valid within the stated clamping ranges (H5).

Advantages:

Compact design for use in the tightest of spaces

Diverse versions and sizes

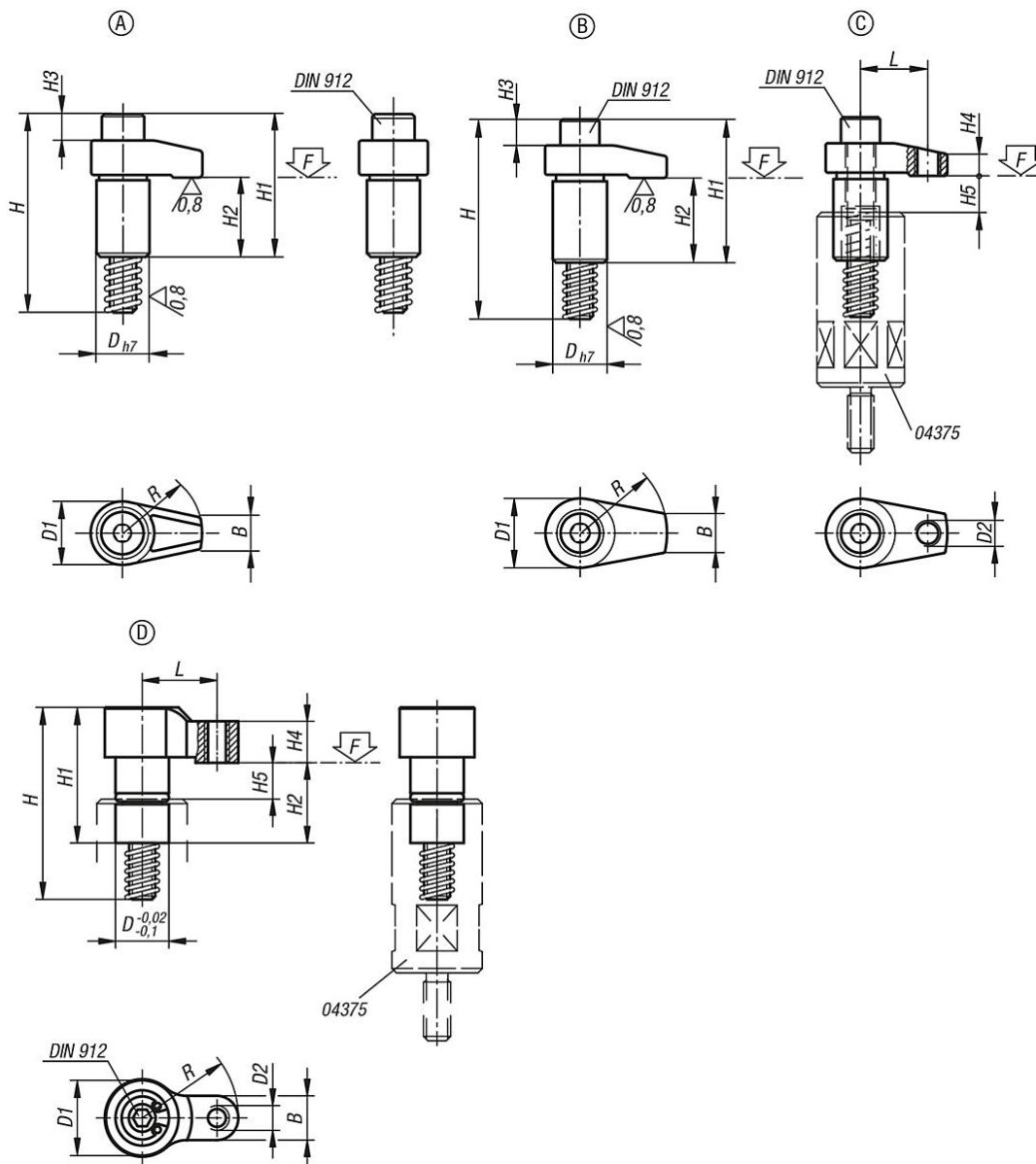
Accessory:

Hook clamp holders 04375.

Hook clamp holders 04379.

Extensions for jack screws 04378.

Drawings



Overview of items

Order No.	Form	D	D1	D2	H	H1	H2	H3	H4	H5 max. clamping range	B	L	R	Socket head screw DIN 912	Tightening torque max. Nm	F max. kN
04372-110030	A	20	25	-	75	54	30	9	10	12	12	-	30	M10x65	37,2	13
04372-110040	A	20	25	-	75	54	30	9	10	12	12	-	40	M10x65	31,4	9,8
04372-208020	B	18	22	-	58	37	23	2	7	10	10	-	20	M8x50	37,2	13,6
04372-208025	B	18	22	-	58	37	23	2	7	10	10	-	25	M8x50	32,3	10,9
04372-208030	B	18	22	-	58	37	23	2	7	10	10	-	30	M8x50	29,4	9
04372-212040	B	25	32	-	92	66	39	11	12	15	18	-	40	M12x80	58,8	17,5
04372-212050	B	25	32	-	92	68	39	11	12	15	18	-	50	M12x80	49	14
04372-212060	B	25	32	-	92	68	39	11	12	15	18	-	60	M12x80	45,1	11,6
04372-216040	B	32	36	-	101	75	39	15	15	15	22	-	40	M16x85	166,6	37,9
04372-216050	B	32	36	-	101	75	39	15	15	15	22	-	50	M16x85	147	30,4
04372-216060	B	32	36	-	101	75	39	15	15	15	22	-	60	M16x85	127,4	25,2
04372-312140	C	25	32	M12	92	66	39	11	10	15	18	31	40	M12x80	58,8	22,6
04372-312150	C	25	32	M12	92	68	39	11	13	15	18	38	50	M12x80	49	18,5
04372-312160	C	25	32	M12	92	68	39	11	13	15	18	46	60	M12x80	45,1	15,2
04372-316150	C	32	36	M12	101	75	39	15	16	15	22	38	50	M16x85	147	38
04372-316160	C	32	36	M12	101	75	39	15	16	15	22	46	60	M16x85	127,4	33
04372-404118	D	10	14	M4	37	24,5	14,5	-	7,5	3	8	14	18	M4x30	2,7	2

Overview of items

Order No.	Form	D	D1	D2	H	H1	H2	H3	H4	H5 max. clamping range	B	L	R	Socket head screw DIN 912	Tightening torque max. Nm	F max. kN
04372-406122	D	12	16	M5	44	30,5	17,5	-	9,5	4	10	17	22	M6x35	7	3,5