

Description

Material:

Steel version

Indexing pin hardened:
grade 5.8.

Stainless steel version

Indexing pin hardened:
Threaded sleeve 1.4305.
Indexing pin 1.4034.

Indexing pin not hardened:

Threaded sleeve 1.4305.
Indexing pin 1.4305.

Mushroom knob black-grey thermoplastic.

Version:

Steel version:

Indexing pin hardened, ground, black oxidised.

Stainless steel version:

Indexing pin hardened, ground and bright.

Indexing pin not hardened, ground and bright.

Note:

Indexing plungers are used to prevent any change in locking position due to lateral forces. A new locking position can only be set after the pin has been manually disengaged.

A washer is available to aid by screwing in the indexing plungers. The washer slides beneath the mushroom knob so that the carrier pins engage in the slot.

On request:

Special versions.

Drawing reference:

Form G: without locknut

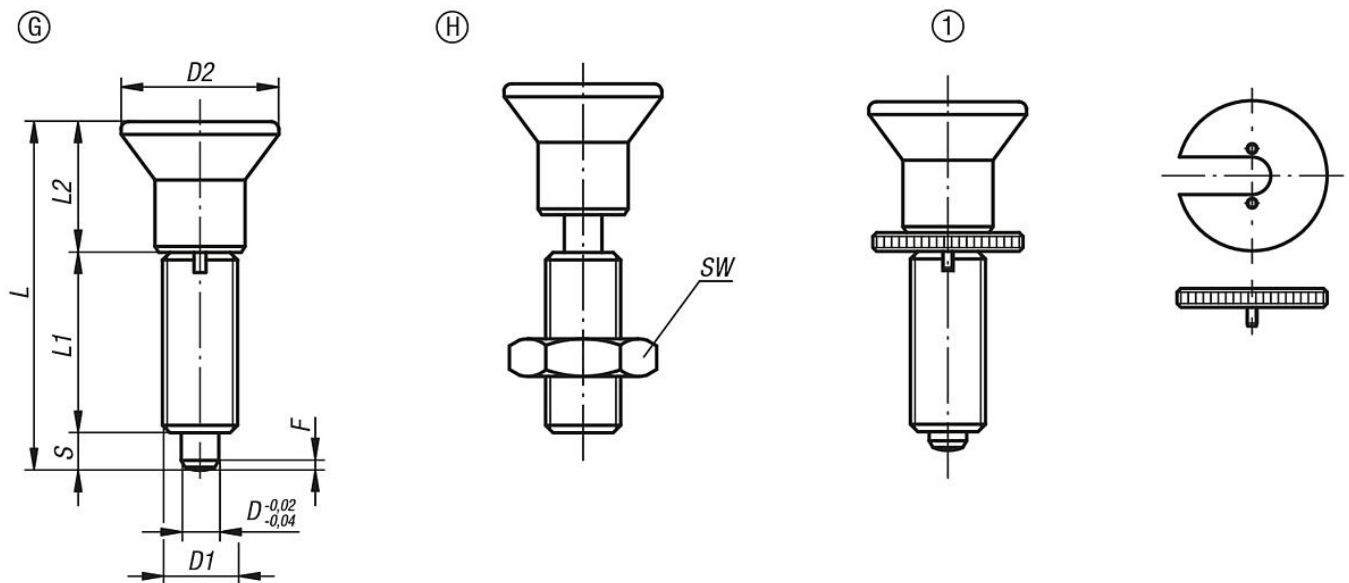
Form H: with locknut

1) Indexing plunger with screw-in washer

03093 Indexing plungers, steel or stainless steel without collar, with plastic mushroom grip



Drawings



Overview of items

Order No.	Form	Main material	Surface finish body	D	D1	D2	L	L1	L2	Travel S	Fx30°	Spring force initial pressure F1 approx. N	Spring force final pressure F2 approx. N	Order No. screw-in washer
03093-1903	G	steel	hardened	3	M6x0,75	14	31,5	17	11	3,5	0,8	4,5	10	03094-99
03093-1004	G	steel	hardened	4	M8x1	18	38,5	21	13,5	4	1,3	6	12	03094-90
03093-1105	G	steel	hardened	5	M10x1	21	43,5	24	14,5	5	1,3	5	12	03094-91
03093-1206	G	steel	hardened	6	M12x1,5	25	51,7	28	17,7	6	1,8	6	14	03094-92
03093-1308	G	steel	hardened	8	M16x1,5	33	68	36	24	8	2,3	15	35	03094-93
03093-1410	G	steel	hardened	10	M20x1,5	33	74	40	24	10	2,8	15	34	03094-94
03093-1412	G	steel	hardened	12	M20x1,5	33	78	42	24	12	2,8	15	39	03094-94
03093-1516	G	steel	hardened	16	M24x2	40	96	50	30	16	3,2	20	46	03094-95
03093-01903	G	stainless steel	hardened	3	M6x0,75	14	31,5	17	11	3,5	0,8	4,5	10	03094-99
03093-01004	G	stainless steel	hardened	4	M8x1	18	38,5	21	13,5	4	1,3	6	12	03094-90
03093-01105	G	stainless steel	hardened	5	M10x1	21	43,5	24	14,5	5	1,3	5	12	03094-91
03093-01206	G	stainless steel	hardened	6	M12x1,5	25	51,7	28	17,7	6	1,8	6	14	03094-92
03093-01308	G	stainless steel	hardened	8	M16x1,5	33	68	36	24	8	2,3	15	35	03094-93
03093-01410	G	stainless steel	hardened	10	M20x1,5	33	74	40	24	10	2,8	15	34	03094-94
03093-01412	G	stainless steel	hardened	12	M20x1,5	33	78	42	24	12	2,8	15	39	03094-94
03093-01516	G	stainless steel	hardened	16	M24x2	40	96	50	30	16	3,2	20	46	03094-95
03093-11903	G	stainless steel	not hardened	3	M6x0,75	14	31,5	17	11	3,5	0,8	4,5	10	03094-99
03093-11004	G	stainless steel	not hardened	4	M8x1	18	38,5	21	13,5	4	1,3	6	12	03094-90
03093-11105	G	stainless steel	not hardened	5	M10x1	21	43,5	24	14,5	5	1,3	5	12	03094-91
03093-11206	G	stainless steel	not hardened	6	M12x1,5	25	51,7	28	17,7	6	1,8	6	14	03094-92
03093-11308	G	stainless steel	not hardened	8	M16x1,5	33	68	36	24	8	2,3	15	35	03094-93
03093-11410	G	stainless steel	not hardened	10	M20x1,5	33	74	40	24	10	2,8	15	34	03094-94
03093-11412	G	stainless steel	not hardened	12	M20x1,5	33	78	42	24	12	2,8	15	39	03094-94
03093-11516	G	stainless steel	not hardened	16	M24x2	40	96	50	30	16	3,2	20	46	03094-95
03093-2903	H	steel	hardened	3	M6x0,75	14	31,5	17	11	3,5	0,8	4,5	10	03094-99
03093-2004	H	steel	hardened	4	M8x1	18	38,5	21	13,5	4	1,3	6	12	03094-90
03093-2105	H	steel	hardened	5	M10x1	21	43,5	24	14,5	5	1,3	5	12	03094-91
03093-2206	H	steel	hardened	6	M12x1,5	25	51,7	28	17,7	6	1,8	6	14	03094-92
03093-2308	H	steel	hardened	8	M16x1,5	33	68	36	24	8	2,3	15	35	03094-93
03093-2410	H	steel	hardened	10	M20x1,5	33	74	40	24	10	2,8	15	34	03094-94
03093-2412	H	steel	hardened	12	M20x1,5	33	78	42	24	12	2,8	15	39	03094-94
03093-2516	H	steel	hardened	16	M24x2	40	96	50	30	16	3,2	20	46	03094-95
03093-02903	H	stainless steel	hardened	3	M6x0,75	14	31,5	17	11	3,5	0,8	4,5	10	03094-99
03093-02004	H	stainless steel	hardened	4	M8x1	18	38,5	21	13,5	4	1,3	6	12	03094-90
03093-02105	H	stainless steel	hardened	5	M10x1	21	43,5	24	14,5	5	1,3	5	12	03094-91
03093-02206	H	stainless steel	hardened	6	M12x1,5	25	51,7	28	17,7	6	1,8	6	14	03094-92
03093-02308	H	stainless steel	hardened	8	M16x1,5	33	68	36	24	8	2,3	15	35	03094-93
03093-02410	H	stainless steel	hardened	10	M20x1,5	33	74	40	24	10	2,8	15	34	03094-94
03093-02412	H	stainless steel	hardened	12	M20x1,5	33	78	42	24	12	2,8	15	39	03094-94

Overview of items

Order No.	Form	Main material	Surface finish body	D	D1	D2	L	L1	L2	Travel S	Fx30°	Spring force initial pressure F1 approx. N	Spring force final pressure F2 approx. N	Order No. screw-in washer
03093-02516	H	stainless steel	hardened	16	M24x2	40	96	50	30	16	3,2	20	46	03094-95
03093-12903	H	stainless steel	not hardened	3	M6x0,75	14	31,5	17	11	3,5	0,8	4,5	10	03094-99
03093-12004	H	stainless steel	not hardened	4	M8x1	18	38,5	21	13,5	4	1,3	6	12	03094-90
03093-12105	H	stainless steel	not hardened	5	M10x1	21	43,5	24	14,5	5	1,3	5	12	03094-91
03093-12206	H	stainless steel	not hardened	6	M12x1,5	25	51,7	28	17,7	6	1,8	6	14	03094-92
03093-12308	H	stainless steel	not hardened	8	M16x1,5	33	68	36	24	8	2,3	15	35	03094-93
03093-12410	H	stainless steel	not hardened	10	M20x1,5	33	74	40	24	10	2,8	15	34	03094-94
03093-12412	H	stainless steel	not hardened	12	M20x1,5	33	78	42	24	12	2,8	15	39	03094-94
03093-12516	H	stainless steel	not hardened	16	M24x2	40	96	50	30	16	3,2	20	46	03094-95