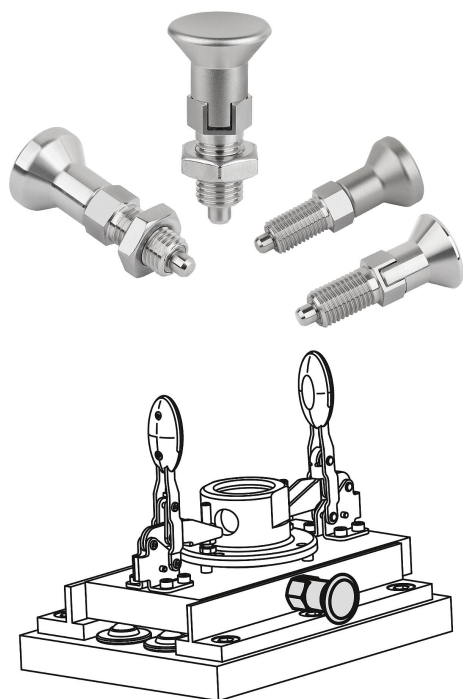


Item description/product images



Description

Material:

Indexing pin hardened:
Threaded sleeve 1.4305.
Indexing pin 1.4034.

Indexing pin not hardened:
Threaded sleeve 1.4305.
Indexing pin 1.4305.

Mushroom knob 1.4305, electropolished.

Version:

Bright.
Indexing pin ground.

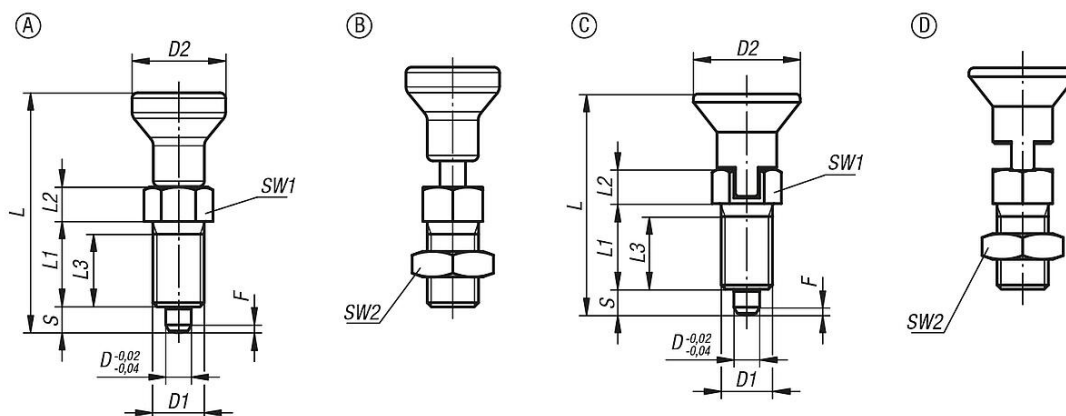
Note:

Indexing plungers are used to prevent any change in locking position due to lateral forces. A new locking position can only be set after the pin has been manually disengaged. Form C or D is recommended for applications in which the pin is disengaged over extended periods and should be prevented from springing back.

On request:

Special versions.

Drawings



Overview of items

Order No.	Form	Main material	Steel code	Mushroom grip	locating pin	D	D1	D2	L	L1	L2	L3	Travel S	SW1	SW2	Fx30°	Spring force initial pressure F1 approx. N	Spring force final pressure F2 approx. N
03089-001903	A	stainless steel	1.4034	-	hardened	3	M6x0,75	14	34,5	12	5	10	3,5	8	-	0,8	4,5	10
03089-001004	A	stainless steel	1.4034	-	hardened	4	M8x1	18	43	15	6	13	4	10	-	1	6	12
03089-001105	A	stainless steel	1.4034	-	hardened	5	M10x1	21	50	17	7	15	5	13	-	1,3	5	12
03089-001206	A	stainless steel	1.4034	-	hardened	6	M12x1,5	25	59	20	8	17	6	14	-	1,8	6	14
03089-001308	A	stainless steel	1.4034	-	hardened	8	M16x1,5	33	77	26	10	23	8	19	-	2,3	15	35
03089-001410	A	stainless steel	1.4034	-	hardened	10	M20x1,5	33	83	28	12	25	10	22	-	2,8	15	34
03089-001412	A	stainless steel	1.4034	-	hardened	12	M20x1,5	33	87	28	14	25	12	22	-	2,8	15	39
03089-001516	A	stainless steel	1.4034	-	hardened	16	M24x2	40	106	32	18	28	16	27	-	3,2	20	46
03089-111903	A	stainless steel	1.4305	-	not hardened	3	M6x0,75	14	34,5	12	5	10	3,5	8	-	0,8	4,5	10
03089-111004	A	stainless steel	1.4305	-	not hardened	4	M8x1	18	43	15	6	13	4	10	-	1	6	12

Overview of items

Order No.	Form	Main material	Steel code	Mushroom grip	locating pin	D	D1	D2	L	L1	L2	L3	Travel S	SW1	SW2	Fx30°	Spring force initial pressure F1 approx. N	Spring force final pressure F2 approx. N
03089-111105	A	stainless steel	1.4305	-	not hardened	5	M10x1	21	50	17	7	15	5	13	-	1,3	5	12
03089-111206	A	stainless steel	1.4305	-	not hardened	6	M12x1,5	25	59	20	8	17	6	14	-	1,8	6	14
03089-111308	A	stainless steel	1.4305	-	not hardened	8	M16x1,5	33	77	26	10	23	8	19	-	2,3	15	35
03089-111410	A	stainless steel	1.4305	-	not hardened	10	M20x1,5	33	83	28	12	25	10	22	-	2,8	15	34
03089-111412	A	stainless steel	1.4305	-	not hardened	12	M20x1,5	33	87	28	14	25	12	22	-	2,8	15	39
03089-111516	A	stainless steel	1.4305	-	not hardened	16	M24x2	40	106	32	18	28	16	27	-	3,2	20	46
03089-061903	A	stainless steel	1.4404	bright	nickel-plated	3	M6x0,75	14	34,5	12	5	10	3,5	8	-	0,8	3	6,5
03089-061004	A	stainless steel	1.4404	bright	nickel-plated	4	M8x1	18	43	15	6	13	4	10	-	1	7	15,5
03089-061105	A	stainless steel	1.4404	bright	nickel-plated	5	M10x1	21	50	17	7	15	5	13	-	1,3	4	12,5
03089-061206	A	stainless steel	1.4404	bright	nickel-plated	6	M12x1,5	25	59	20	8	17	6	14	-	1,8	7	14,5
03089-061308	A	stainless steel	1.4404	bright	nickel-plated	8	M16x1,5	33	77	26	10	23	8	19	-	2,3	15	35
03089-061410	A	stainless steel	1.4404	bright	nickel-plated	10	M20x1,5	33	83	28	12	25	10	22	-	2,8	15	30
03089-061412	A	stainless steel	1.4404	bright	nickel-plated	12	M20x1,5	33	87	28	14	25	12	22	-	2,8	15	39
03089-061516	A	stainless steel	1.4404	bright	nickel-plated	16	M24x2	40	106	32	18	28	16	27	-	3,2	20	40
03089-171903	A	stainless steel	1.4404	bright	bright	3	M6x0,75	14	34,5	12	5	10	3,5	8	-	0,8	3	6,5
03089-171004	A	stainless steel	1.4404	bright	bright	4	M8x1	18	43	15	6	13	4	10	-	1	7	15,5
03089-171105	A	stainless steel	1.4404	bright	bright	5	M10x1	21	50	17	7	15	5	13	-	1,3	4	12,5
03089-171206	A	stainless steel	1.4404	bright	bright	6	M12x1,5	25	59	20	8	17	6	14	-	1,8	7	14,5
03089-171308	A	stainless steel	1.4404	bright	bright	8	M16x1,5	33	77	26	10	23	8	19	-	2,3	15	35
03089-171410	A	stainless steel	1.4404	bright	bright	10	M20x1,5	33	83	28	12	25	10	22	-	2,8	15	30
03089-171412	A	stainless steel	1.4404	bright	bright	12	M20x1,5	33	87	28	14	25	12	22	-	2,8	15	39
03089-171516	A	stainless steel	1.4404	bright	bright	16	M24x2	40	106	32	18	28	16	27	-	3,2	20	40
03089-0619031	A	stainless steel	1.4404	blasted	nickel-plated	3	M6x0,75	14	34,5	12	5	10	3,5	8	-	0,8	3	6,5
03089-0610041	A	stainless steel	1.4404	blasted	nickel-plated	4	M8x1	18	43	15	6	13	4	10	-	1	7	15,5
03089-0611051	A	stainless steel	1.4404	blasted	nickel-plated	5	M10x1	21	50	17	7	15	5	13	-	1,3	4	12,5
03089-0612061	A	stainless steel	1.4404	blasted	nickel-plated	6	M12x1,5	25	59	20	8	17	6	14	-	1,8	7	14,5
03089-0613081	A	stainless steel	1.4404	blasted	nickel-plated	8	M16x1,5	33	77	26	10	23	8	19	-	2,3	15	35
03089-0614101	A	stainless steel	1.4404	blasted	nickel-plated	10	M20x1,5	33	83	28	12	25	10	22	-	2,8	15	30
03089-0614121	A	stainless steel	1.4404	blasted	nickel-plated	12	M20x1,5	33	87	28	14	25	12	22	-	2,8	15	39
03089-0615161	A	stainless steel	1.4404	blasted	nickel-plated	16	M24x2	40	106	32	18	28	16	27	-	3,2	20	40
03089-1719031	A	stainless steel	1.4404	blasted	bright	3	M6x0,75	14	34,5	12	5	10	3,5	8	-	0,8	3	6,5
03089-1710041	A	stainless steel	1.4404	blasted	bright	4	M8x1	18	43	15	6	13	4	10	-	1	7	15,5
03089-1711051	A	stainless steel	1.4404	blasted	bright	5	M10x1	21	50	17	7	15	5	13	-	1,3	4	12,5
03089-1712061	A	stainless steel	1.4404	blasted	bright	6	M12x1,5	25	59	20	8	17	6	14	-	1,8	7	14,5
03089-1713081	A	stainless steel	1.4404	blasted	bright	8	M16x1,5	33	77	26	10	23	8	19	-	2,3	15	35
03089-1714101	A	stainless steel	1.4404	blasted	bright	10	M20x1,5	33	83	28	12	25	10	22	-	2,8	15	30
03089-1714121	A	stainless steel	1.4404	blasted	bright	12	M20x1,5	33	87	28	14	25	12	22	-	2,8	15	39
03089-1715161	A	stainless steel	1.4404	blasted	bright	16	M24x2	40	106	32	18	28	16	27	-	3,2	20	40
03089-002903	B	stainless steel	1.4034	-	hardened	3	M6x0,75	14	34,5	12	5	10	3,5	8	10	0,8	4,5	10
03089-002004	B	stainless steel	1.4034	-	hardened	4	M8x1	18	43	15	6	13	4	10	13	1	6	12
03089-002105	B	stainless steel	1.4034	-	hardened	5	M10x1	21	50	17	7	15	5	13	17	1,3	5	12
03089-002206	B	stainless steel	1.4034	-	hardened	6	M12x1,5	25	59	20	8	17	6	14	19	1,8	6	14
03089-002308	B	stainless steel	1.4034	-	hardened	8	M16x1,5	33	77	26	10	23	8	19	24	2,3	15	35
03089-002410	B	stainless steel	1.4034	-	hardened	10	M20x1,5	33	83	28	12	25	10	22	30	2,8	15	34
03089-002412	B	stainless steel	1.4034	-	hardened	12	M20x1,5	33	87	28	14	25	12	22	30	2,8	15	39
03089-002516	B	stainless steel	1.4034	-	hardened	16	M24x2	40	106	32	18	28	16	27	36	3,2	20	46
03089-112903	B	stainless steel	1.4305	-	not hardened	3	M6x0,75	14	34,5	12	5	10	3,5	8	10	0,8	4,5	10
03089-112004	B	stainless steel	1.4305	-	not hardened	4	M8x1	18	43	15	6	13	4	10	13	1	6	12
03089-112105	B	stainless steel	1.4305	-	not hardened	5	M10x1	21	50	17	7	15	5	13	17	1,3	5	12
03089-112206	B	stainless steel	1.4305	-	not hardened	6	M12x1,5	25	59	20	8	17	6	14	19	1,8	6	14
03089-112308	B	stainless steel	1.4305	-	not hardened	8	M16x1,5	33	77	26	10	23	8	19	24	2,3	15	35
03089-112410	B	stainless steel	1.4305	-	not hardened	10	M20x1,5	33	83	28	12	25	10	22	30	2,8	15	34
03089-112412	B	stainless steel	1.4305	-	not hardened	12	M20x1,5	33	87	28	14	25	12	22	30	2,8	15	39
03089-112516	B	stainless steel	1.4305	-	not hardened	16	M24x2	40	106	32	18	28	16	27	36	3,2	20	46
03089-062903	B	stainless steel	1.4404	bright	nickel-plated	3	M6x0,75	14	34,5	12	5	10	3,5	8	10	0,8	3	6,5
03089-062004	B	stainless steel	1.4404	bright	nickel-plated	4	M8x1	18	43	15	6	13	4	10	13	1	7	15,5
03089-062105	B	stainless steel	1.4404	bright	nickel-plated	5	M10x1	21	50	17	7	15	5	13	17	1,3	4	12,5
03089-062206	B	stainless steel	1.4404	bright	nickel-plated	6	M12x1,5	25	59	20	8	17	6	14	19	1,8	7	14,5
03089-062308	B	stainless steel	1.4404	bright	nickel-plated	8	M16x1,5	33	77	26	10	23	8	19	24	2,3	15	35
03089-062410	B	stainless steel	1.4404	bright	nickel-plated	10	M20x1,5	33	83	28	12	25	10	22	30	2,8	15	30
03089-062412	B	stainless steel	1.4404	bright	nickel-plated	12	M20x1,5	33	87	28	14	25	12	22	30	2,8	15	39
03089-062516	B	stainless steel	1.4404	bright	nickel-plated	16	M24x2	40	106	32	18	28	16	27	36	3,2	20	40
03089-172903	B	stainless steel	1.4404	bright	bright	3	M6x0,75	14	34,5	12	5	10	3,5	8	10	0,8	3	6,5
03089-172004	B	stainless steel	1.4404	bright	bright	4	M8x1	18	43	15	6	13	4	10	13	1	7	15,5

Overview of items

Order No.	Form	Main material	Steel code	Mushroom grip	locating pin	D	D1	D2	L	L1	L2	L3	Travel S	SW1	SW2	Fx30°	Spring force initial pressure F1 approx. N	Spring force final pressure F2 approx. N
03089-172105	B	stainless steel	1.4404	bright	bright	5	M10x1	21	50	17	7	15	5	13	17	1,3	4	12,5
03089-172206	B	stainless steel	1.4404	bright	bright	6	M12x1,5	25	59	20	8	17	6	14	19	1,8	7	14,5
03089-172308	B	stainless steel	1.4404	bright	bright	8	M16x1,5	33	77	26	10	23	8	19	24	2,3	15	35
03089-172410	B	stainless steel	1.4404	bright	bright	10	M20x1,5	33	83	28	12	25	10	22	30	2,8	15	30
03089-172412	B	stainless steel	1.4404	bright	bright	12	M20x1,5	33	87	28	14	25	12	22	30	2,8	15	39
03089-172516	B	stainless steel	1.4404	bright	bright	16	M24x2	40	106	32	18	28	16	27	36	3,2	20	40
03089-0629031	B	stainless steel	1.4404	blasted	nickel-plated	3	M6x0,75	14	34,5	12	5	10	3,5	8	10	0,8	3	6,5
03089-0620041	B	stainless steel	1.4404	blasted	nickel-plated	4	M8x1	18	43	15	6	13	4	10	13	1	7	15,5
03089-0621051	B	stainless steel	1.4404	blasted	nickel-plated	5	M10x1	21	50	17	7	15	5	13	17	1,3	4	12,5
03089-0622061	B	stainless steel	1.4404	blasted	nickel-plated	6	M12x1,5	25	59	20	8	17	6	14	19	1,8	7	14,5
03089-0623081	B	stainless steel	1.4404	blasted	nickel-plated	8	M16x1,5	33	77	26	10	23	8	19	24	2,3	15	35
03089-0624101	B	stainless steel	1.4404	blasted	nickel-plated	10	M20x1,5	33	83	28	12	25	10	22	30	2,8	15	30
03089-0624121	B	stainless steel	1.4404	blasted	nickel-plated	12	M20x1,5	33	87	28	14	25	12	22	30	2,8	15	39
03089-0625161	B	stainless steel	1.4404	blasted	nickel-plated	16	M24x2	40	106	32	18	28	16	27	36	3,2	20	40
03089-1729031	B	stainless steel	1.4404	blasted	bright	3	M6x0,75	14	34,5	12	5	10	3,5	8	10	0,8	3	6,5
03089-1720041	B	stainless steel	1.4404	blasted	bright	4	M8x1	18	43	15	6	13	4	10	13	1	7	15,5
03089-1721051	B	stainless steel	1.4404	blasted	bright	5	M10x1	21	50	17	7	15	5	13	17	1,3	4	12,5
03089-1722061	B	stainless steel	1.4404	blasted	bright	6	M12x1,5	25	59	20	8	17	6	14	19	1,8	7	14,5
03089-1723081	B	stainless steel	1.4404	blasted	bright	8	M16x1,5	33	77	26	10	23	8	19	24	2,3	15	35
03089-1724101	B	stainless steel	1.4404	blasted	bright	10	M20x1,5	33	83	28	12	25	10	22	30	2,8	15	30
03089-1724121	B	stainless steel	1.4404	blasted	bright	12	M20x1,5	33	87	28	14	25	12	22	30	2,8	15	39
03089-1725161	B	stainless steel	1.4404	blasted	bright	16	M24x2	40	106	32	18	28	16	27	36	3,2	20	40
03089-003903	C	stainless steel	1.4034	-	hardened	3	M6x0,75	14	31,5	12	5	10	3,5	8	-	0,8	4,5	10
03089-003004	C	stainless steel	1.4034	-	hardened	4	M8x1	18	38,5	15	6	13	4	10	-	1	6	12
03089-003105	C	stainless steel	1.4034	-	hardened	5	M10x1	21	43,5	17	7	15	5	13	-	1,3	5	12
03089-003206	C	stainless steel	1.4034	-	hardened	6	M12x1,5	25	51,7	20	8	17	6	14	-	1,8	6	14
03089-003308	C	stainless steel	1.4034	-	hardened	8	M16x1,5	33	68	26	10	23	8	19	-	2,3	15	35
03089-003410	C	stainless steel	1.4034	-	hardened	10	M20x1,5	33	74	28	12	25	10	22	-	2,8	15	34
03089-003412	C	stainless steel	1.4034	-	hardened	12	M20x1,5	33	78	28	14	25	12	22	-	2,8	15	39
03089-003516	C	stainless steel	1.4034	-	hardened	16	M24x2	40	96	32	18	28	16	27	-	3,2	20	46
03089-113903	C	stainless steel	1.4305	-	not hardened	3	M6x0,75	14	31,5	12	5	10	3,5	8	-	0,8	4,5	10
03089-113004	C	stainless steel	1.4305	-	not hardened	4	M8x1	18	38,5	15	6	13	4	10	-	1	6	12
03089-113105	C	stainless steel	1.4305	-	not hardened	5	M10x1	21	43,5	17	7	15	5	13	-	1,3	5	12
03089-113206	C	stainless steel	1.4305	-	not hardened	6	M12x1,5	25	51,7	20	8	17	6	14	-	1,8	6	14
03089-113308	C	stainless steel	1.4305	-	not hardened	8	M16x1,5	33	68	26	10	23	8	19	-	2,3	15	35
03089-113410	C	stainless steel	1.4305	-	not hardened	10	M20x1,5	33	74	28	12	25	10	22	-	2,8	15	34
03089-113412	C	stainless steel	1.4305	-	not hardened	12	M20x1,5	33	78	28	14	25	12	22	-	2,8	15	39
03089-113516	C	stainless steel	1.4305	-	not hardened	16	M24x2	40	96	32	18	28	16	27	-	3,2	20	46
03089-063903	C	stainless steel	1.4404	bright	nickel-plated	3	M6x0,75	14	31,5	12	5	10	3,5	8	-	0,8	3	6,5
03089-063004	C	stainless steel	1.4404	bright	nickel-plated	4	M8x1	18	38,5	15	6	13	4	10	-	1	7	15,5
03089-063105	C	stainless steel	1.4404	bright	nickel-plated	5	M10x1	21	43,5	17	7	15	5	13	-	1,3	4	12,5
03089-063206	C	stainless steel	1.4404	bright	nickel-plated	6	M12x1,5	25	51,7	20	8	17	6	14	-	1,8	7	14,5
03089-063308	C	stainless steel	1.4404	bright	nickel-plated	8	M16x1,5	33	68	26	10	23	8	19	-	2,3	15	35
03089-063410	C	stainless steel	1.4404	bright	nickel-plated	10	M20x1,5	33	74	28	12	25	10	22	-	2,8	15	30
03089-063412	C	stainless steel	1.4404	bright	nickel-plated	12	M20x1,5	33	78	28	14	25	12	22	-	2,8	15	39
03089-063516	C	stainless steel	1.4404	bright	nickel-plated	16	M24x2	40	96	32	18	28	16	27	-	3,2	20	40
03089-173903	C	stainless steel	1.4404	bright	bright	3	M6x0,75	14	31,5	12	5	10	3,5	8	-	0,8	3	6,5
03089-173004	C	stainless steel	1.4404	bright	bright	4	M8x1	18	38,5	15	6	13	4	10	-	1	7	15,5
03089-173105	C	stainless steel	1.4404	bright	bright	5	M10x1	21	43,5	17	7	15	5	13	-	1,3	4	12,5
03089-173206	C	stainless steel	1.4404	bright	bright	6	M12x1,5	25	51,7	20	8	17	6	14	-	1,8	7	14,5
03089-173308	C	stainless steel	1.4404	bright	bright	8	M16x1,5	33	68	26	10	23	8	19	-	2,3	15	35
03089-173410	C	stainless steel	1.4404	bright	bright	10	M20x1,5	33	74	28	12	25	10	22	-	2,8	15	30
03089-173412	C	stainless steel	1.4404	bright	bright	12	M20x1,5	33	78	28	14	25	12	22	-	2,8	15	39
03089-173516	C	stainless steel	1.4404	bright	bright	16	M24x2	40	96	32	18	28	16	27	-	3,2	20	40
03089-0639031	C	stainless steel	1.4404	blasted	nickel-plated	3	M6x0,75	14	31,5	12	5	10	3,5	8	-	0,8	3	6,5
03089-0630041	C	stainless steel	1.4404	blasted	nickel-plated	4	M8x1	18	38,5	15	6	13	4	10	-	1	7	15,5
03089-0631051	C	stainless steel	1.4404	blasted	nickel-plated	5	M10x1	21	43,5	17	7	15	5	13	-	1,3	4	12,5
03089-0632061	C	stainless steel	1.4404	blasted	nickel-plated	6	M12x1,5	25	51,7	20	8	17	6	14	-	1,8	7	14,5
03089-0633081	C	stainless steel	1.4404	blasted	nickel-plated	8	M16x1,5	33	68	26	10	23	8	19	-	2,3	15	35
03089-0634101	C	stainless steel	1.4404	blasted	nickel-plated	10	M20x1,5	33	74	28	12	25	10	22	-	2,8	15	30
03089-0634121	C	stainless steel	1.4404	blasted	nickel-plated	12	M20x1,5	33	78	28	14	25	12	22	-	2,8	15	39
03089-0635161	C	stainless steel	1.4404	blasted	nickel-plated	16	M24x2	40	96	32	18	28	16	27	-	3,2	20	40
03089-1739031	C	stainless steel	1.4404	blasted	bright	3	M6x0,75	14	31,5	12	5	10	3,5	8	-	0,8	3	6,5
03089-1730041	C	stainless steel	1.4404	blasted	bright	4	M8x1	18	38,5	15	6	13	4	10	-	1	7	15,5

Overview of items

Order No.	Form	Main material	Steel code	Mushroom grip	locating pin	D	D1	D2	L	L1	L2	L3	Travel S	SW1	SW2	Fx30°	Spring force initial pressure F1 approx. N	Spring force final pressure F2 approx. N
03089-1731051	C	stainless steel	1.4404	blasted	bright	5	M10x1	21	43,5	17	7	15	5	13	-	1,3	4	12,5
03089-1732061	C	stainless steel	1.4404	blasted	bright	6	M12x1,5	25	51,7	20	8	17	6	14	-	1,8	7	14,5
03089-1733081	C	stainless steel	1.4404	blasted	bright	8	M16x1,5	33	68	26	10	23	8	19	-	2,3	15	35
03089-1734101	C	stainless steel	1.4404	blasted	bright	10	M20x1,5	33	74	28	12	25	10	22	-	2,8	15	30
03089-1734121	C	stainless steel	1.4404	blasted	bright	12	M20x1,5	33	78	28	14	25	12	22	-	2,8	15	39
03089-1735161	C	stainless steel	1.4404	blasted	bright	16	M24x2	40	96	32	18	28	16	27	-	3,2	20	40
03089-004903	D	stainless steel	1.4034	-	hardened	3	M6x0,75	14	31,5	12	5	10	3,5	8	10	0,8	4,5	10
03089-004004	D	stainless steel	1.4034	-	hardened	4	M8x1	18	38,5	15	6	13	4	10	13	1	6	12
03089-004105	D	stainless steel	1.4034	-	hardened	5	M10x1	21	43,5	17	7	15	5	13	17	1,3	5	12
03089-004206	D	stainless steel	1.4034	-	hardened	6	M12x1,5	25	51,7	20	8	17	6	14	19	1,8	6	14
03089-004308	D	stainless steel	1.4034	-	hardened	8	M16x1,5	33	68	26	10	23	8	19	24	2,3	15	35
03089-004410	D	stainless steel	1.4034	-	hardened	10	M20x1,5	33	74	28	12	25	10	22	30	2,8	15	34
03089-004412	D	stainless steel	1.4034	-	hardened	12	M20x1,5	33	78	28	14	25	12	22	30	2,8	15	39
03089-004516	D	stainless steel	1.4034	-	hardened	16	M24x2	40	96	32	18	28	16	27	36	3,2	20	46
03089-114903	D	stainless steel	1.4305	-	not hardened	3	M6x0,75	14	31,5	12	5	10	3,5	8	10	0,8	4,5	10
03089-114004	D	stainless steel	1.4305	-	not hardened	4	M8x1	18	38,5	15	6	13	4	10	13	1	6	12
03089-114105	D	stainless steel	1.4305	-	not hardened	5	M10x1	21	43,5	17	7	15	5	13	17	1,3	5	12
03089-114206	D	stainless steel	1.4305	-	not hardened	6	M12x1,5	25	51,7	20	8	17	6	14	19	1,8	6	14
03089-114308	D	stainless steel	1.4305	-	not hardened	8	M16x1,5	33	68	26	10	23	8	19	24	2,3	15	35
03089-114410	D	stainless steel	1.4305	-	not hardened	10	M20x1,5	33	74	28	12	25	10	22	30	2,8	15	34
03089-114412	D	stainless steel	1.4305	-	not hardened	12	M20x1,5	33	78	28	14	25	12	22	30	2,8	15	39
03089-114516	D	stainless steel	1.4305	-	not hardened	16	M24x2	40	96	32	18	28	16	27	36	3,2	20	46
03089-064903	D	stainless steel	1.4404	bright	nickel-plated	3	M6x0,75	14	31,5	12	5	10	3,5	8	10	0,8	3	6,5
03089-064004	D	stainless steel	1.4404	bright	nickel-plated	4	M8x1	18	38,5	15	6	13	4	10	13	1	7	15,5
03089-064105	D	stainless steel	1.4404	bright	nickel-plated	5	M10x1	21	43,5	17	7	15	5	13	17	1,3	4	12,5
03089-064206	D	stainless steel	1.4404	bright	nickel-plated	6	M12x1,5	25	51,7	20	8	17	6	14	19	1,8	7	14,5
03089-064308	D	stainless steel	1.4404	bright	nickel-plated	8	M16x1,5	33	68	26	10	23	8	19	24	2,3	15	35
03089-064410	D	stainless steel	1.4404	bright	nickel-plated	10	M20x1,5	33	74	28	12	25	10	22	30	2,8	15	30
03089-064412	D	stainless steel	1.4404	bright	nickel-plated	12	M20x1,5	33	78	28	14	25	12	22	30	2,8	15	39
03089-064516	D	stainless steel	1.4404	bright	nickel-plated	16	M24x2	40	96	32	18	28	16	27	36	3,2	20	40
03089-174903	D	stainless steel	1.4404	bright	bright	3	M6x0,75	14	31,5	12	5	10	3,5	8	10	0,8	3	6,5
03089-174004	D	stainless steel	1.4404	bright	bright	4	M8x1	18	38,5	15	6	13	4	10	13	1	7	15,5
03089-174105	D	stainless steel	1.4404	bright	bright	5	M10x1	21	43,5	17	7	15	5	13	17	1,3	4	12,5
03089-174206	D	stainless steel	1.4404	bright	bright	6	M12x1,5	25	51,7	20	8	17	6	14	19	1,8	7	14,5
03089-174308	D	stainless steel	1.4404	bright	bright	8	M16x1,5	33	68	26	10	23	8	19	24	2,3	15	35
03089-174410	D	stainless steel	1.4404	bright	bright	10	M20x1,5	33	74	28	12	25	10	22	30	2,8	15	30
03089-174412	D	stainless steel	1.4404	bright	bright	12	M20x1,5	33	78	28	14	25	12	22	30	2,8	15	39
03089-174516	D	stainless steel	1.4404	bright	bright	16	M24x2	40	96	32	18	28	16	27	36	3,2	20	40
03089-0649031	D	stainless steel	1.4404	blasted	nickel-plated	3	M6x0,75	14	31,5	12	5	10	3,5	8	10	0,8	3	6,5
03089-0640041	D	stainless steel	1.4404	blasted	nickel-plated	4	M8x1	18	38,5	15	6	13	4	10	13	1	7	15,5
03089-0641051	D	stainless steel	1.4404	blasted	nickel-plated	5	M10x1	21	43,5	17	7	15	5	13	17	1,3	4	12,5
03089-0642061	D	stainless steel	1.4404	blasted	nickel-plated	6	M12x1,5	25	51,7	20	8	17	6	14	19	1,8	7	14,5
03089-0643081	D	stainless steel	1.4404	blasted	nickel-plated	8	M16x1,5	33	68	26	10	23	8	19	24	2,3	15	35
03089-0644101	D	stainless steel	1.4404	blasted	nickel-plated	10	M20x1,5	33	74	28	12	25	10	22	30	2,8	15	30
03089-0644121	D	stainless steel	1.4404	blasted	nickel-plated	12	M20x1,5	33	78	28	14	25	12	22	30	2,8	15	39
03089-0645161	D	stainless steel	1.4404	blasted	nickel-plated	16	M24x2	40	96	32	18	28	16	27	36	3,2	20	40
03089-1749031	D	stainless steel	1.4404	blasted	bright	3	M6x0,75	14	31,5	12	5	10	3,5	8	10	0,8	3	6,5
03089-1740041	D	stainless steel	1.4404	blasted	bright	4	M8x1	18	38,5	15	6	13	4	10	13	1	7	15,5
03089-1741051	D	stainless steel	1.4404	blasted	bright	5	M10x1	21	43,5	17	7	15	5	13	17	1,3	4	12,5
03089-1742061	D	stainless steel	1.4404	blasted	bright	6	M12x1,5	25	51,7	20	8	17	6	14	19	1,8	7	14,5
03089-1743081	D	stainless steel	1.4404	blasted	bright	8	M16x1,5	33	68	26	10	23	8	19	24	2,3	15	35
03089-1744101	D	stainless steel	1.4404	blasted	bright	10	M20x1,5	33	74	28	12	25	10	22	30	2,8	15	30
03089-1744121	D	stainless steel	1.4404	blasted	bright	12	M20x1,5	33	78	28	14	25	12	22	30	2,8	15	39
03089-1745161	D	stainless steel	1.4404	blasted	bright	16	M24x2	40	96	32	18	28	16	27	36	3,2	20	40

