



Description

Material:

Steel version

Indexing pin hardened:
grade 5.8

Stainless steel version

Indexing pin not hardened:

Threaded sleeve 1.4305.

Indexing pin 1.4305.

Mushroom grip thermoplastic, black-grey or traffic red RAL 3020.

Version:

Steel version:

Indexing pin hardened, ground, black oxidised.

Stainless steel version:

Indexing pin not hardened, ground, bright.

Note:

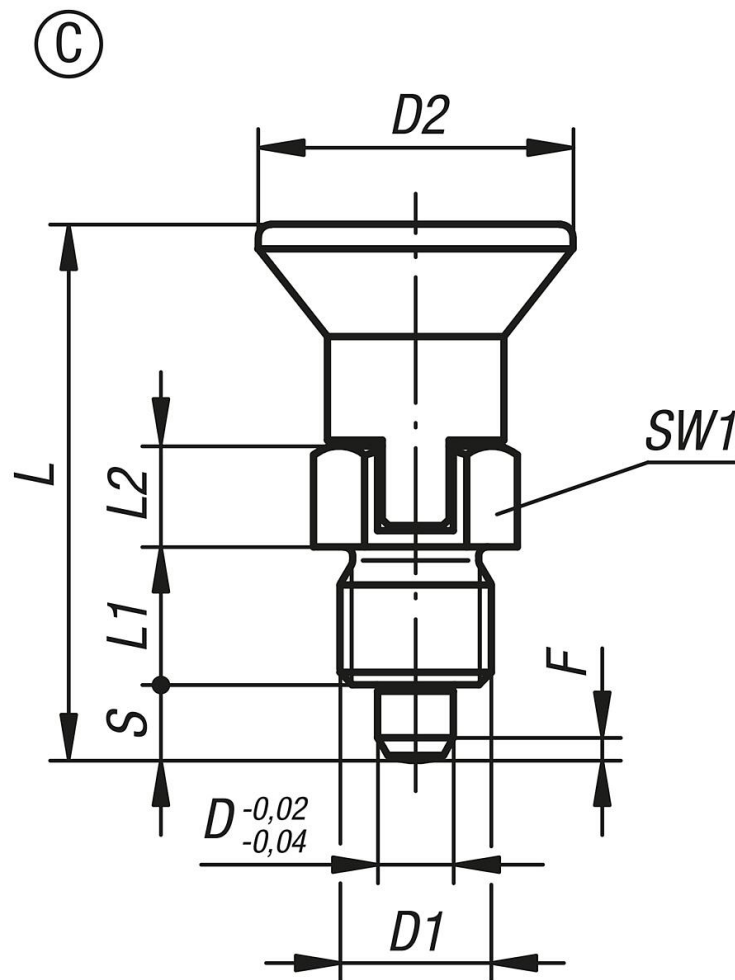
Indexing plungers are used to prevent any change in position due to lateral forces.

A new locking position can only be set after the pin has been manually disengaged.

Form C or D is recommended for applications in which the pin is disengaged over extended periods and should be prevented from springing back.

On request:

Special versions.



Overview of items

Order No.	Form	Main material	Surface finish body	Component colour	D	D1	D2	L	L1	L2	Travel S	SW1	Fx30°	Spring force initial pressure F1 approx. N	Spring force final pressure F2 approx. N
03089-7903	C	steel	hardened	black grey RAL 7021	3	M6x0,75	14	25,5	6	5	3,5	8	0,8	4	10
03089-7004	C	steel	hardened	black grey RAL 7021	4	M8x1	18	29,5	6	6	4	10	1	4	12
03089-7105	C	steel	hardened	black grey RAL 7021	5	M10x1	21	34,5	8	7	5	13	1,3	5	12
03089-7206	C	steel	hardened	black grey RAL 7021	6	M12x1,5	25	41,7	10	8	6	14	1,8	6	14
03089-7308	C	steel	hardened	black grey RAL 7021	8	M16x1,5	33	54	12	10	8	19	2,3	14	28
03089-7410	C	steel	hardened	black grey RAL 7021	10	M20x1,5	33	61	15	12	10	22	2,8	15	32
03089-790384	C	steel	hardened	traffic red RAL 3020	3	M6x0,75	14	25,5	6	5	3,5	8	0,8	4	10
03089-700484	C	steel	hardened	traffic red RAL 3020	4	M8x1	18	29,5	6	6	4	10	1	4	12
03089-710584	C	steel	hardened	traffic red RAL 3020	5	M10x1	21	34,5	8	7	5	13	1,3	5	12
03089-720684	C	steel	hardened	traffic red RAL 3020	6	M12x1,5	25	41,7	10	8	6	14	1,8	6	14
03089-730884	C	steel	hardened	traffic red RAL 3020	8	M16x1,5	33	54	12	10	8	19	2,3	14	28
03089-741084	C	steel	hardened	traffic red RAL 3020	10	M20x1,5	33	61	15	12	10	22	2,8	15	32
03089-17903	C	stainless steel	not hardened	black grey RAL 7021	3	M6x0,75	14	25,5	6	5	3,5	8	0,8	4	10
03089-17004	C	stainless steel	not hardened	black grey RAL 7021	4	M8x1	18	29,5	6	6	4	10	1	4	12
03089-17105	C	stainless steel	not hardened	black grey RAL 7021	5	M10x1	21	34,5	8	7	5	13	1,3	5	12
03089-17206	C	stainless steel	not hardened	black grey RAL 7021	6	M12x1,5	25	41,7	10	8	6	14	1,8	6	14
03089-17308	C	stainless steel	not hardened	black grey RAL 7021	8	M16x1,5	33	54	12	10	8	19	2,3	14	28
03089-17410	C	stainless steel	not hardened	black grey RAL 7021	10	M20x1,5	33	61	15	12	10	22	2,8	15	32
03089-1790384	C	stainless steel	not hardened	traffic red RAL 3020	3	M6x0,75	14	25,5	6	5	3,5	8	0,8	4	10
03089-1700484	C	stainless steel	not hardened	traffic red RAL 3020	4	M8x1	18	29,5	6	6	4	10	1	4	12
03089-1710584	C	stainless steel	not hardened	traffic red RAL 3020	5	M10x1	21	34,5	8	7	5	13	1,3	5	12
03089-1720684	C	stainless steel	not hardened	traffic red RAL 3020	6	M12x1,5	25	41,7	10	8	6	14	1,8	6	14
03089-1730884	C	stainless steel	not hardened	traffic red RAL 3020	8	M16x1,5	33	54	12	10	8	19	2,3	14	28
03089-1741084	C	stainless steel	not hardened	traffic red RAL 3020	10	M20x1,5	33	61	15	12	10	22	2,8	15	32

