

## Description

### Material:

Steel version  
Indexing pin hardened:  
grade 5.8

Stainless steel version  
Indexing pin not hardened:  
Threaded sleeve 1.4305.  
Indexing pin 1.4305.

Mushroom grip thermoplastic, black-grey or traffic red RAL 3020.

### Version:

Steel version:  
Indexing pin hardened, ground, black oxidised.

Stainless steel version:  
Indexing pin not hardened, ground, bright.

### Note:

Indexing plungers are used to prevent any change in position due to lateral forces. A new locking position can only be set after the pin has been manually disengaged. Form C or D is recommended for applications in which the pin is disengaged over extended periods and should be prevented from springing back.

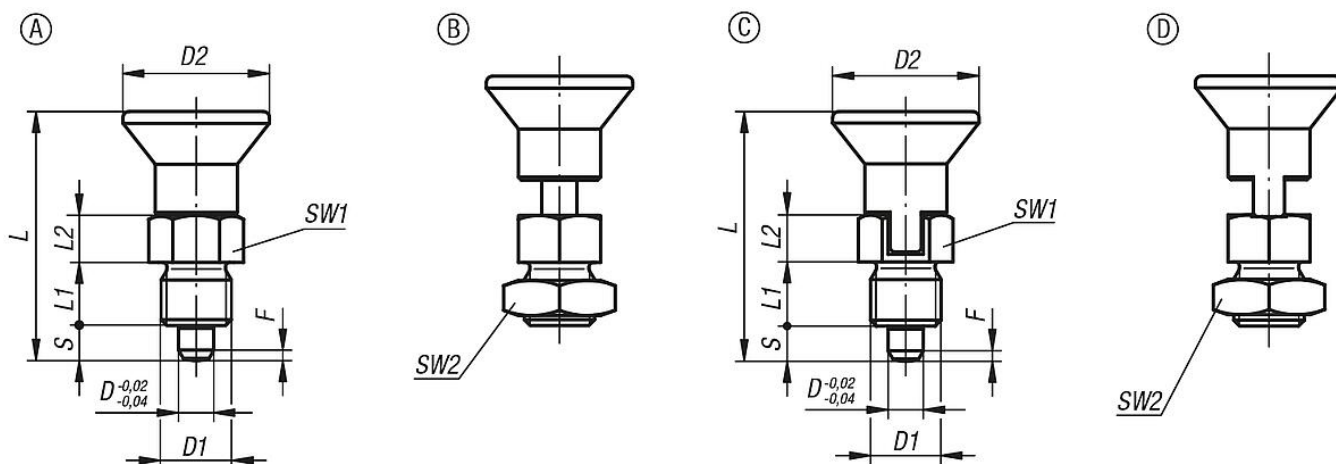
### On request:

Special versions.

### Drawing reference:

Form A: non-lockout type, without locknut  
Form B: non-lockout type, with locknut  
Form C: lockout type, without locknut  
Form D: lockout type, with locknut

## Drawings



# 03089 Indexing plungers, steel or stainless steel, short version with plastic mushroom grip



## Overview of items

Order No.	Form	Main material	Surface finish body	Component colour	D	D1	D2	L	L1	L2	Travel S	SW1	SW2	Fx30°	Spring force initial pressure F1 approx. N	Spring force final pressure F2 approx. N
03089-5903	A	steel	hardened	black grey RAL 7021	3	M6x0,75	14	25,5	6	5	3,5	8	-	0,8	4	10
03089-5004	A	steel	hardened	black grey RAL 7021	4	M8x1	18	29,5	6	6	4	10	-	1	4	12
03089-5105	A	steel	hardened	black grey RAL 7021	5	M10x1	21	34,5	8	7	5	13	-	1,3	5	12
03089-5206	A	steel	hardened	black grey RAL 7021	6	M12x1,5	25	41,7	10	8	6	14	-	1,8	6	14
03089-5308	A	steel	hardened	black grey RAL 7021	8	M16x1,5	33	54	12	10	8	19	-	2,3	14	28
03089-5410	A	steel	hardened	black grey RAL 7021	10	M20x1,5	33	61	15	12	10	22	-	2,8	15	32
03089-590384	A	steel	hardened	traffic red RAL 3020	3	M6x0,75	14	25,5	6	5	3,5	8	-	0,8	4	10
03089-500484	A	steel	hardened	traffic red RAL 3020	4	M8x1	18	29,5	6	6	4	10	-	1	4	12
03089-510584	A	steel	hardened	traffic red RAL 3020	5	M10x1	21	34,5	8	7	5	13	-	1,3	5	12
03089-520684	A	steel	hardened	traffic red RAL 3020	6	M12x1,5	25	41,7	10	8	6	14	-	1,8	6	14
03089-530884	A	steel	hardened	traffic red RAL 3020	8	M16x1,5	33	54	12	10	8	19	-	2,3	14	28
03089-541084	A	steel	hardened	traffic red RAL 3020	10	M20x1,5	33	61	15	12	10	22	-	2,8	15	32
03089-15903	A	stainless steel	not hardened	black grey RAL 7021	3	M6x0,75	14	25,5	6	5	3,5	8	-	0,8	4	10
03089-15004	A	stainless steel	not hardened	black grey RAL 7021	4	M8x1	18	29,5	6	6	4	10	-	1	4	12
03089-15105	A	stainless steel	not hardened	black grey RAL 7021	5	M10x1	21	34,5	8	7	5	13	-	1,3	5	12
03089-15206	A	stainless steel	not hardened	black grey RAL 7021	6	M12x1,5	25	41,7	10	8	6	14	-	1,8	6	14
03089-15308	A	stainless steel	not hardened	black grey RAL 7021	8	M16x1,5	33	54	12	10	8	19	-	2,3	14	28
03089-15410	A	stainless steel	not hardened	black grey RAL 7021	10	M20x1,5	33	61	15	12	10	22	-	2,8	15	32
03089-1590384	A	stainless steel	not hardened	traffic red RAL 3020	3	M6x0,75	14	25,5	6	5	3,5	8	-	0,8	4	10
03089-1500484	A	stainless steel	not hardened	traffic red RAL 3020	4	M8x1	18	29,5	6	6	4	10	-	1	4	12
03089-1510584	A	stainless steel	not hardened	traffic red RAL 3020	5	M10x1	21	34,5	8	7	5	13	-	1,3	5	12
03089-1520684	A	stainless steel	not hardened	traffic red RAL 3020	6	M12x1,5	25	41,7	10	8	6	14	-	1,8	6	14
03089-1530884	A	stainless steel	not hardened	traffic red RAL 3020	8	M16x1,5	33	54	12	10	8	19	-	2,3	14	28
03089-1541084	A	stainless steel	not hardened	traffic red RAL 3020	10	M20x1,5	33	61	15	12	10	22	-	2,8	15	32
03089-6903	B	steel	hardened	black grey RAL 7021	3	M6x0,75	14	25,5	6	5	3,5	8	10	0,8	4	10
03089-6004	B	steel	hardened	black grey RAL 7021	4	M8x1	18	29,5	6	6	4	10	13	1	4	12
03089-6105	B	steel	hardened	black grey RAL 7021	5	M10x1	21	34,5	8	7	5	13	17	1,3	5	12
03089-6206	B	steel	hardened	black grey RAL 7021	6	M12x1,5	25	41,7	10	8	6	14	19	1,8	6	14
03089-6308	B	steel	hardened	black grey RAL 7021	8	M16x1,5	33	54	12	10	8	19	24	2,3	14	28
03089-6410	B	steel	hardened	black grey RAL 7021	10	M20x1,5	33	61	15	12	10	22	30	2,8	15	32
03089-690384	B	steel	hardened	traffic red RAL 3020	3	M6x0,75	14	25,5	6	5	3,5	8	10	0,8	4	10
03089-600484	B	steel	hardened	traffic red RAL 3020	4	M8x1	18	29,5	6	6	4	10	13	1	4	12
03089-610584	B	steel	hardened	traffic red RAL 3020	5	M10x1	21	34,5	8	7	5	13	17	1,3	5	12
03089-620684	B	steel	hardened	traffic red RAL 3020	6	M12x1,5	25	41,7	10	8	6	14	19	1,8	6	14
03089-630884	B	steel	hardened	traffic red RAL 3020	8	M16x1,5	33	54	12	10	8	19	24	2,3	14	28
03089-641084	B	steel	hardened	traffic red RAL 3020	10	M20x1,5	33	61	15	12	10	22	30	2,8	15	32
03089-16903	B	stainless steel	not hardened	black grey RAL 7021	3	M6x0,75	14	25,5	6	5	3,5	8	10	0,8	4	10
03089-16004	B	stainless steel	not hardened	black grey RAL 7021	4	M8x1	18	29,5	6	6	4	10	13	1	4	12
03089-16105	B	stainless steel	not hardened	black grey RAL 7021	5	M10x1	21	34,5	8	7	5	13	17	1,3	5	12
03089-16206	B	stainless steel	not hardened	black grey RAL 7021	6	M12x1,5	25	41,7	10	8	6	14	19	1,8	6	14
03089-16308	B	stainless steel	not hardened	black grey RAL 7021	8	M16x1,5	33	54	12	10	8	19	24	2,3	14	28
03089-16410	B	stainless steel	not hardened	black grey RAL 7021	10	M20x1,5	33	61	15	12	10	22	30	2,8	15	32
03089-1690384	B	stainless steel	not hardened	traffic red RAL 3020	3	M6x0,75	14	25,5	6	5	3,5	8	10	0,8	4	10
03089-1600484	B	stainless steel	not hardened	traffic red RAL 3020	4	M8x1	18	29,5	6	6	4	10	13	1	4	12
03089-1610584	B	stainless steel	not hardened	traffic red RAL 3020	5	M10x1	21	34,5	8	7	5	13	17	1,3	5	12
03089-1620684	B	stainless steel	not hardened	traffic red RAL 3020	6	M12x1,5	25	41,7	10	8	6	14	19	1,8	6	14
03089-1630884	B	stainless steel	not hardened	traffic red RAL 3020	8	M16x1,5	33	54	12	10	8	19	24	2,3	14	28
03089-1641084	B	stainless steel	not hardened	traffic red RAL 3020	10	M20x1,5	33	61	15	12	10	22	30	2,8	15	32
03089-7903	C	steel	hardened	black grey RAL 7021	3	M6x0,75	14	25,5	6	5	3,5	8	-	0,8	4	10
03089-7004	C	steel	hardened	black grey RAL 7021	4	M8x1	18	29,5	6	6	4	10	-	1	4	12
03089-7105	C	steel	hardened	black grey RAL 7021	5	M10x1	21	34,5	8	7	5	13	-	1,3	5	12
03089-7206	C	steel	hardened	black grey RAL 7021	6	M12x1,5	25	41,7	10	8	6	14	-	1,8	6	14
03089-7308	C	steel	hardened	black grey RAL 7021	8	M16x1,5	33	54	12	10	8	19	-	2,3	14	28
03089-7410	C	steel	hardened	black grey RAL 7021	10	M20x1,5	33	61	15	12	10	22	-	2,8	15	32
03089-790384	C	steel	hardened	traffic red RAL 3020	3	M6x0,75	14	25,5	6	5	3,5	8	-	0,8	4	10
03089-700484	C	steel	hardened	traffic red RAL 3020	4	M8x1	18	29,5	6	6	4	10	-	1	4	12
03089-710584	C	steel	hardened	traffic red RAL 3020	5	M10x1	21	34,5	8	7	5	13	-	1,3	5	12
03089-720684	C	steel	hardened	traffic red RAL 3020	6	M12x1,5	25	41,7	10	8	6	14	-	1,8	6	14
03089-730884	C	steel	hardened	traffic red RAL 3020	8	M16x1,5	33	54	12	10	8	19	-	2,3	14	28
03089-741084	C	steel	hardened	traffic red RAL 3020	10	M20x1,5	33	61	15	12	10	22	-	2,8	15	32
03089-17903	C	stainless steel	not hardened	black grey RAL 7021	3	M6x0,75	14	25,5	6	5	3,5	8	-	0,8	4	10
03089-17004	C	stainless steel	not hardened	black grey RAL 7021	4	M8x1	18	29,5	6	6	4	10	-	1	4	12
03089-17105	C	stainless steel	not hardened	black grey RAL 7021	5	M10x1	21	34,5	8	7	5	13	-	1,3	5	12
03089-17206	C	stainless steel	not hardened	black grey RAL 7021	6	M12x1,5	25	41,7	10	8	6	14	-	1,8	6	14

# 03089 Indexing plungers, steel or stainless steel, short version with plastic mushroom grip



## Overview of items

Order No.	Form	Main material	Surface finish body	Component colour	D	D1	D2	L	L1	L2	Travel S	SW1	SW2	Fx30°	Spring force initial pressure F1 approx. N	Spring force final pressure F2 approx. N
03089-17308	C	stainless steel	not hardened	black grey RAL 7021	8	M16x1,5	33	54	12	10	8	19	-	2,3	14	28
03089-17410	C	stainless steel	not hardened	black grey RAL 7021	10	M20x1,5	33	61	15	12	10	22	-	2,8	15	32
03089-1790384	C	stainless steel	not hardened	traffic red RAL 3020	3	M6x0,75	14	25,5	6	5	3,5	8	-	0,8	4	10
03089-1700484	C	stainless steel	not hardened	traffic red RAL 3020	4	M8x1	18	29,5	6	6	4	10	-	1	4	12
03089-1710584	C	stainless steel	not hardened	traffic red RAL 3020	5	M10x1	21	34,5	8	7	5	13	-	1,3	5	12
03089-1720684	C	stainless steel	not hardened	traffic red RAL 3020	6	M12x1,5	25	41,7	10	8	6	14	-	1,8	6	14
03089-1730884	C	stainless steel	not hardened	traffic red RAL 3020	8	M16x1,5	33	54	12	10	8	19	-	2,3	14	28
03089-1741084	C	stainless steel	not hardened	traffic red RAL 3020	10	M20x1,5	33	61	15	12	10	22	-	2,8	15	32
03089-8903	D	steel	hardened	black grey RAL 7021	3	M6x0,75	14	25,5	6	5	3,5	8	10	0,8	4	10
03089-8004	D	steel	hardened	black grey RAL 7021	4	M8x1	18	29,5	6	6	4	10	13	1	4	12
03089-8105	D	steel	hardened	black grey RAL 7021	5	M10x1	21	34,5	8	7	5	13	17	1,3	5	12
03089-8206	D	steel	hardened	black grey RAL 7021	6	M12x1,5	25	41,7	10	8	6	14	19	1,8	6	14
03089-8308	D	steel	hardened	black grey RAL 7021	8	M16x1,5	33	54	12	10	8	19	24	2,3	14	28
03089-8410	D	steel	hardened	black grey RAL 7021	10	M20x1,5	33	61	15	12	10	22	30	2,8	15	32
03089-890384	D	steel	hardened	traffic red RAL 3020	3	M6x0,75	14	25,5	6	5	3,5	8	10	0,8	4	10
03089-800484	D	steel	hardened	traffic red RAL 3020	4	M8x1	18	29,5	6	6	4	10	13	1	4	12
03089-810584	D	steel	hardened	traffic red RAL 3020	5	M10x1	21	34,5	8	7	5	13	17	1,3	5	12
03089-820684	D	steel	hardened	traffic red RAL 3020	6	M12x1,5	25	41,7	10	8	6	14	19	1,8	6	14
03089-830884	D	steel	hardened	traffic red RAL 3020	8	M16x1,5	33	54	12	10	8	19	24	2,3	14	28
03089-841084	D	steel	hardened	traffic red RAL 3020	10	M20x1,5	33	61	15	12	10	22	30	2,8	15	32
03089-18903	D	stainless steel	not hardened	black grey RAL 7021	3	M6x0,75	14	25,5	6	5	3,5	8	10	0,8	4	10
03089-18004	D	stainless steel	not hardened	black grey RAL 7021	4	M8x1	18	29,5	6	6	4	10	13	1	4	12
03089-18105	D	stainless steel	not hardened	black grey RAL 7021	5	M10x1	21	34,5	8	7	5	13	17	1,3	5	12
03089-18206	D	stainless steel	not hardened	black grey RAL 7021	6	M12x1,5	25	41,7	10	8	6	14	19	1,8	6	14
03089-18308	D	stainless steel	not hardened	black grey RAL 7021	8	M16x1,5	33	54	12	10	8	19	24	2,3	14	28
03089-18410	D	stainless steel	not hardened	black grey RAL 7021	10	M20x1,5	33	61	15	12	10	22	30	2,8	15	32
03089-1890384	D	stainless steel	not hardened	traffic red RAL 3020	3	M6x0,75	14	25,5	6	5	3,5	8	10	0,8	4	10
03089-1800484	D	stainless steel	not hardened	traffic red RAL 3020	4	M8x1	18	29,5	6	6	4	10	13	1	4	12
03089-1810584	D	stainless steel	not hardened	traffic red RAL 3020	5	M10x1	21	34,5	8	7	5	13	17	1,3	5	12
03089-1820684	D	stainless steel	not hardened	traffic red RAL 3020	6	M12x1,5	25	41,7	10	8	6	14	19	1,8	6	14
03089-1830884	D	stainless steel	not hardened	traffic red RAL 3020	8	M16x1,5	33	54	12	10	8	19	24	2,3	14	28
03089-1841084	D	stainless steel	not hardened	traffic red RAL 3020	10	M20x1,5	33	61	15	12	10	22	30	2,8	15	32