



Description

Material:

Steel version

Indexing pin hardened:
grade 5.8.

Stainless steel version

Indexing pin hardened:
Threaded sleeve 1.4305.
Indexing pin 1.4034.

Indexing pin not hardened:

Threaded sleeve 1.4305.
Indexing pin 1.4305.

Mushroom knob black-grey thermoplastic.

Version:

Steel version:

Indexing pin hardened, ground, black oxidised.

Stainless steel version:

Indexing pin hardened, ground and bright.

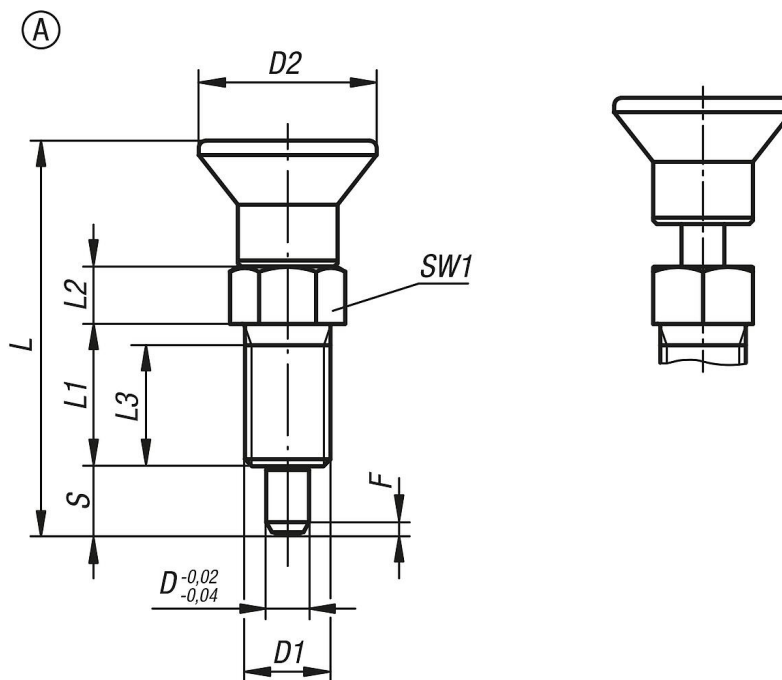
Indexing pin not hardened, ground and bright.

Note:

Indexing plungers are used to prevent any change in locking position due to lateral forces. A new locking position can only be set after the pin has been manually disengaged.

On request:

Special versions.



Overview of items

Order No. steel hardened	Order No. stainless steel hardened	Order No. stainless steel not hardened	Form	D	D1	D2	L	L1	L2	L3	Travel S	SW1	Fx30°	Spring force initial pressure F1 approx. N	Spring force final pressure F2 approx. N
03089-21903	03089-201903	03089-211903	A	3	M6x0,75	14	33	12	5	10	5	8	0,8	4,5	12
03089-21004	03089-201004	03089-211004	A	4	M8x1	18	40,5	15	6	13	6	10	1	6	15
03089-21105	03089-201105	03089-211105	A	5	M10x1	21	46,5	17	7	15	8	13	1,3	5	16
03089-21206	03089-201206	03089-211206	A	6	M12x1,5	25	54,7	20	8	17	9	14	1,8	6	18
03089-21308	03089-201308	03089-211308	A	8	M16x1,5	33	72	26	10	23	12	19	2,3	15	45
03089-21410	03089-201410	03089-211410	A	10	M20x1,5	33	79	28	12	25	15	22	2,8	15	43
03089-21412	03089-201412	03089-211412	A	12	M20x1,5	33	84	28	14	25	18	22	2,8	15	51
03089-21516	03089-201516	03089-211516	A	16	M24x2	40	104	32	18	28	24	27	3,2	20	60