

Item description/product images



Description

Material:

Spiral cable PUR.
 Eye copper or stainless steel.
 Key ring steel or stainless steel.

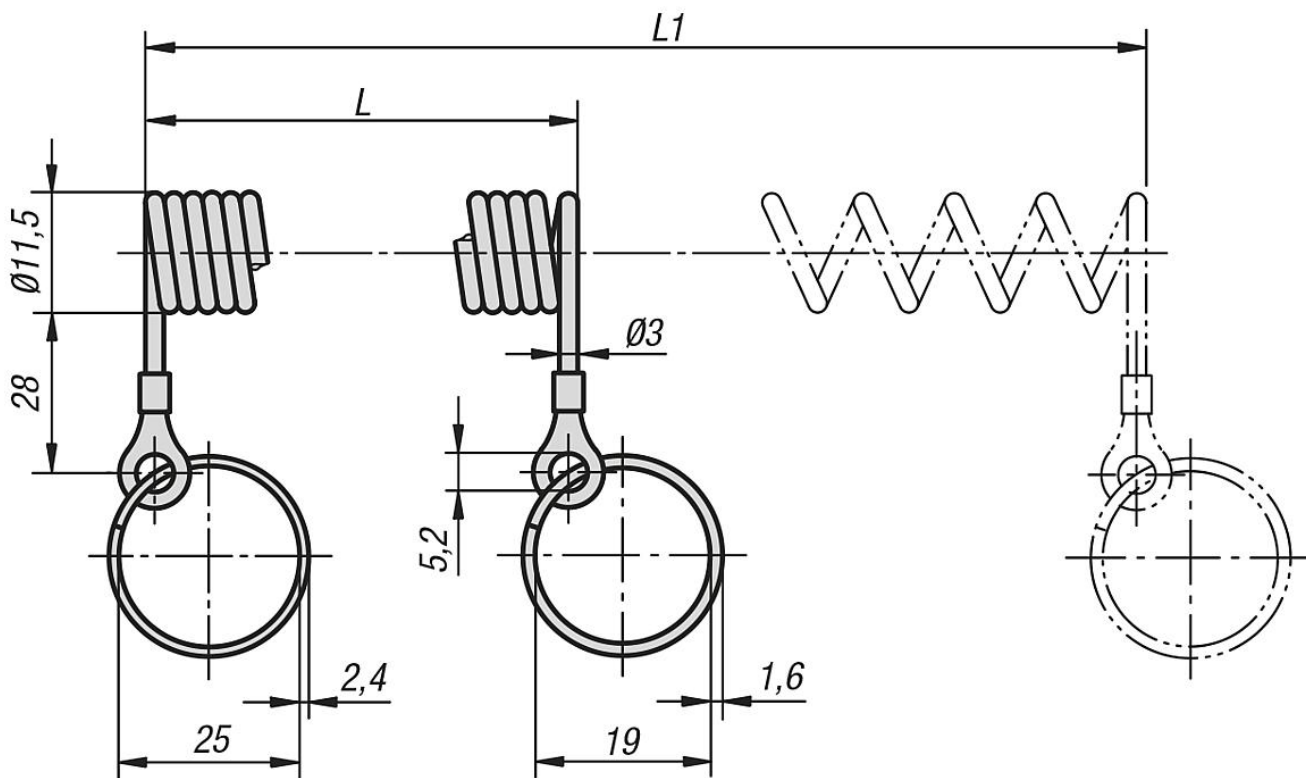
Version:

Spiral cable black.
 Eye, zinc-plated copper or bright stainless steel.
 Key ring, chromed steel or bright stainless steel.

Note:

Elastic spiral cable to secure equipment parts. Very good reset force, robust and wear-resistant.

Drawings



Overview of items

Order No.	Key Rings	L	L1
03199-10100	steel	100	500
03199-10200	steel	200	1000
03199-20100	stainless steel	100	500
03199-20200	stainless steel	200	1000

