



Description

Product description:

Indexing plungers are used where it is necessary to prevent changes of position due to lateral forces.

Some examples of this are for length, height and position indexing in machines, equipment, furniture and special vehicle construction.

A new indexed position can be only be moved to after the pin has been manually retracted. Form C and D are recommended for applications where the indexing pin should remain disengaged for an extended period and be prevented from springing back.

The materials used enable diverse applications including those with the highest demands on corrosion resistance

Material:

Stainless steel A2 version:

Threaded sleeve and mushroom grip 1.4305.

hardened indexing pin 1.4034.

Non-hardened indexing pin 1.4305.

Spring 1.4310.

Stainless steel A4 version:

Threaded sleeve, mushroom grip and indexing pin 1.4404.

Spring 1.4401 or 1.4571.

Version:

Stainless steel A2 version:

threaded sleeve bright.

Mushroom grip bright.

Indexing pin hardened or not hardened, ground and bright.

Stainless steel A4 version:

threaded sleeve bright.

Mushroom grip bright or abrasive blasted.

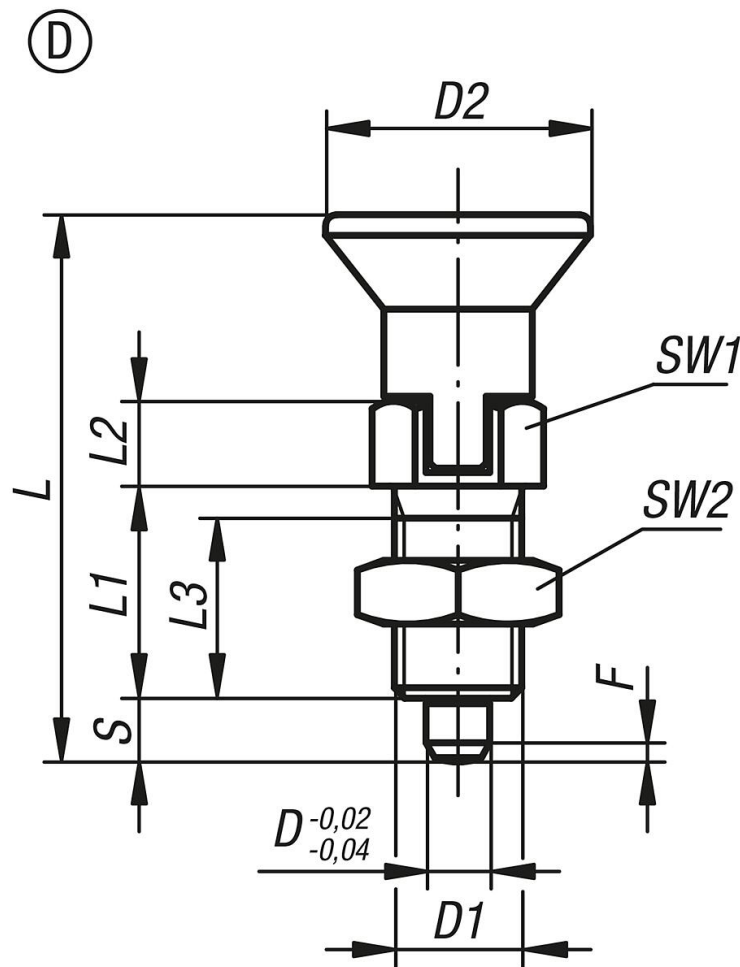
Indexing pin ground, chemically nickel-plated or bright.

On request:

Special versions.

Accessory:

Spacer rings 03089



Overview of items

Order No.	Form	Main material	Steel code	Mushroom grip	locating pin	D	D1	D2	L	L1	L2	L3	Travel S	SW1	SW2	Fx30°	Spring force initial pressure F1 approx. N	Spring force final pressure F2 approx. N
03089-004903	D	stainless steel	1.4034	-	hardened	3	M6x0,75	14	31,5	12	5	10	3,5	8	10	0,8	4,5	10
03089-004004	D	stainless steel	1.4034	-	hardened	4	M8x1	18	38,5	15	6	13	4	10	13	1	6	12
03089-004105	D	stainless steel	1.4034	-	hardened	5	M10x1	21	43,5	17	7	15	5	13	17	1,3	5	12
03089-004206	D	stainless steel	1.4034	-	hardened	6	M12x1,5	25	51,7	20	8	17	6	14	19	1,8	6	14
03089-004308	D	stainless steel	1.4034	-	hardened	8	M16x1,5	33	68	26	10	23	8	19	24	2,3	15	35
03089-004410	D	stainless steel	1.4034	-	hardened	10	M20x1,5	33	74	28	12	25	10	22	30	2,8	15	34
03089-004412	D	stainless steel	1.4034	-	hardened	12	M20x1,5	33	78	28	14	25	12	22	30	2,8	15	39
03089-004516	D	stainless steel	1.4034	-	hardened	16	M24x2	40	96	32	18	28	16	27	36	3,2	20	46
03089-114903	D	stainless steel	1.4305	-	not hardened	3	M6x0,75	14	31,5	12	5	10	3,5	8	10	0,8	4,5	10
03089-114004	D	stainless steel	1.4305	-	not hardened	4	M8x1	18	38,5	15	6	13	4	10	13	1	6	12
03089-114105	D	stainless steel	1.4305	-	not hardened	5	M10x1	21	43,5	17	7	15	5	13	17	1,3	5	12
03089-114206	D	stainless steel	1.4305	-	not hardened	6	M12x1,5	25	51,7	20	8	17	6	14	19	1,8	6	14
03089-114308	D	stainless steel	1.4305	-	not hardened	8	M16x1,5	33	68	26	10	23	8	19	24	2,3	15	35
03089-114410	D	stainless steel	1.4305	-	not hardened	10	M20x1,5	33	74	28	12	25	10	22	30	2,8	15	34
03089-114412	D	stainless steel	1.4305	-	not hardened	12	M20x1,5	33	78	28	14	25	12	22	30	2,8	15	39
03089-114516	D	stainless steel	1.4305	-	not hardened	16	M24x2	40	96	32	18	28	16	27	36	3,2	20	46
03089-064903	D	stainless steel	1.4404	bright	nickel-plated	3	M6x0,75	14	31,5	12	5	10	3,5	8	10	0,8	3	6,5
03089-064004	D	stainless steel	1.4404	bright	nickel-plated	4	M8x1	18	38,5	15	6	13	4	10	13	1	7	15,5
03089-064105	D	stainless steel	1.4404	bright	nickel-plated	5	M10x1	21	43,5	17	7	15	5	13	17	1,3	4	12,5
03089-064206	D	stainless steel	1.4404	bright	nickel-plated	6	M12x1,5	25	51,7	20	8	17	6	14	19	1,8	7	14,5
03089-064308	D	stainless steel	1.4404	bright	nickel-plated	8	M16x1,5	33	68	26	10	23	8	19	24	2,3	15	35
03089-064410	D	stainless steel	1.4404	bright	nickel-plated	10	M20x1,5	33	74	28	12	25	10	22	30	2,8	15	30
03089-064412	D	stainless steel	1.4404	bright	nickel-plated	12	M20x1,5	33	78	28	14	25	12	22	30	2,8	15	39
03089-064516	D	stainless steel	1.4404	bright	nickel-plated	16	M24x2	40	96	32	18	28	16	27	36	3,2	20	40
03089-174903	D	stainless steel	1.4404	bright	bright	3	M6x0,75	14	31,5	12	5	10	3,5	8	10	0,8	3	6,5

03089_D Indexing plungers, stainless steel with stainless steel mushroom grip. Locking slot and locknut



Overview of items

Order No.	Form	Main material	Steel code	Mushroom grip	locating pin	D	D1	D2	L	L1	L2	L3	Travel S	SW1	SW2	Fx30°	Spring force initial pressure F1 approx. N	Spring force final pressure F2 approx. N
03089-174004	D	stainless steel	1.4404	bright	bright	4	M8x1	18	38,5	15	6	13	4	10	13	1	7	15,5
03089-174105	D	stainless steel	1.4404	bright	bright	5	M10x1	21	43,5	17	7	15	5	13	17	1,3	4	12,5
03089-174206	D	stainless steel	1.4404	bright	bright	6	M12x1,5	25	51,7	20	8	17	6	14	19	1,8	7	14,5
03089-174308	D	stainless steel	1.4404	bright	bright	8	M16x1,5	33	68	26	10	23	8	19	24	2,3	15	35
03089-174410	D	stainless steel	1.4404	bright	bright	10	M20x1,5	33	74	28	12	25	10	22	30	2,8	15	30
03089-174412	D	stainless steel	1.4404	bright	bright	12	M20x1,5	33	78	28	14	25	12	22	30	2,8	15	39
03089-174516	D	stainless steel	1.4404	bright	bright	16	M24x2	40	96	32	18	28	16	27	36	3,2	20	40
03089-0649031	D	stainless steel	1.4404	blasted	nickel-plated	3	M6x0,75	14	31,5	12	5	10	3,5	8	10	0,8	3	6,5
03089-0640041	D	stainless steel	1.4404	blasted	nickel-plated	4	M8x1	18	38,5	15	6	13	4	10	13	1	7	15,5
03089-0641051	D	stainless steel	1.4404	blasted	nickel-plated	5	M10x1	21	43,5	17	7	15	5	13	17	1,3	4	12,5
03089-0642061	D	stainless steel	1.4404	blasted	nickel-plated	6	M12x1,5	25	51,7	20	8	17	6	14	19	1,8	7	14,5
03089-0643081	D	stainless steel	1.4404	blasted	nickel-plated	8	M16x1,5	33	68	26	10	23	8	19	24	2,3	15	35
03089-0644101	D	stainless steel	1.4404	blasted	nickel-plated	10	M20x1,5	33	74	28	12	25	10	22	30	2,8	15	30
03089-0644121	D	stainless steel	1.4404	blasted	nickel-plated	12	M20x1,5	33	78	28	14	25	12	22	30	2,8	15	39
03089-0645161	D	stainless steel	1.4404	blasted	nickel-plated	16	M24x2	40	96	32	18	28	16	27	36	3,2	20	40
03089-1749031	D	stainless steel	1.4404	blasted	bright	3	M6x0,75	14	31,5	12	5	10	3,5	8	10	0,8	3	6,5
03089-1740041	D	stainless steel	1.4404	blasted	bright	4	M8x1	18	38,5	15	6	13	4	10	13	1	7	15,5
03089-1741051	D	stainless steel	1.4404	blasted	bright	5	M10x1	21	43,5	17	7	15	5	13	17	1,3	4	12,5
03089-1742061	D	stainless steel	1.4404	blasted	bright	6	M12x1,5	25	51,7	20	8	17	6	14	19	1,8	7	14,5
03089-1743081	D	stainless steel	1.4404	blasted	bright	8	M16x1,5	33	68	26	10	23	8	19	24	2,3	15	35
03089-1744101	D	stainless steel	1.4404	blasted	bright	10	M20x1,5	33	74	28	12	25	10	22	30	2,8	15	30
03089-1744121	D	stainless steel	1.4404	blasted	bright	12	M20x1,5	33	78	28	14	25	12	22	30	2,8	15	39
03089-1745161	D	stainless steel	1.4404	blasted	bright	16	M24x2	40	96	32	18	28	16	27	36	3,2	20	40