



Description

Material:

Steel version
Indexing pin hardened:
grade 5.8.

Stainless steel version
Indexing pin hardened:
Threaded sleeve 1.4305.
Indexing pin 1.4034.

Indexing pin not hardened:
Threaded sleeve 1.4305.
Indexing pin 1.4305.

Mushroom knob black-grey thermoplastic.

Version:

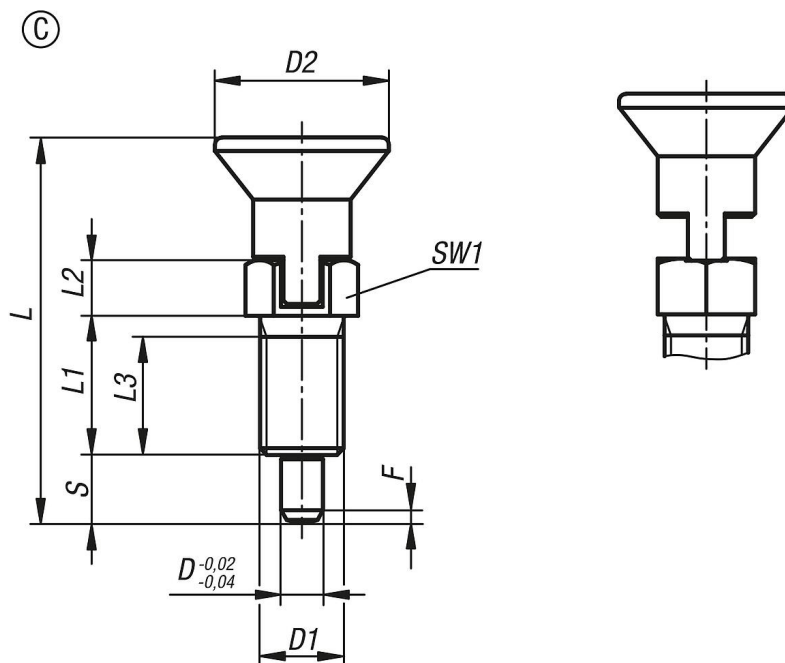
Steel version:
Indexing pin hardened, ground, black oxidised.

Stainless steel version:
Indexing pin hardened, ground and bright.
Indexing pin not hardened, ground and bright.

Note:

Indexing plungers are used to prevent any change in locking position due to lateral forces. A new locking position can only be set after the pin has been manually disengaged.

Drawings



03089_C Indexing plungers, steel or stainless steel, with plastic mushroom grip extended indexing pin and load slot



Overview of items

Order No.	Form	Main material	locating pin	D	D1	D2	L	L1	L2	L3	Travel S	SW1	Fx30°	Spring force initial pressure F1 approx. N	Spring force final pressure F2 approx. N
03089-23105	C	steel	hardened	5	M10x1	21	49,5	17	10	15	8	13	1,3	5	16
03089-23206	C	steel	hardened	6	M12x1,5	25	57,7	20	11	17	9	14	1,8	6	18
03089-23308	C	steel	hardened	8	M16x1,5	33	76	26	14	23	12	19	2,3	15	45
03089-203105	C	stainless steel	hardened	5	M10x1	21	49,5	17	10	15	8	13	1,3	5	16
03089-203206	C	stainless steel	hardened	6	M12x1,5	25	57,7	20	11	17	9	14	1,8	6	18
03089-203308	C	stainless steel	hardened	8	M16x1,5	33	76	26	14	23	12	19	2,3	15	45
03089-213105	C	stainless steel	not hardened	5	M10x1	21	49,5	17	10	15	8	13	1,3	5	16
03089-213206	C	stainless steel	not hardened	6	M12x1,5	25	57,7	20	11	17	9	14	1,8	6	18
03089-213308	C	stainless steel	not hardened	8	M16x1,5	33	76	26	14	23	12	19	2,3	15	45