

Item description/product images



Description

Material:

Steel.

Version:

Black oxidised.

Note:

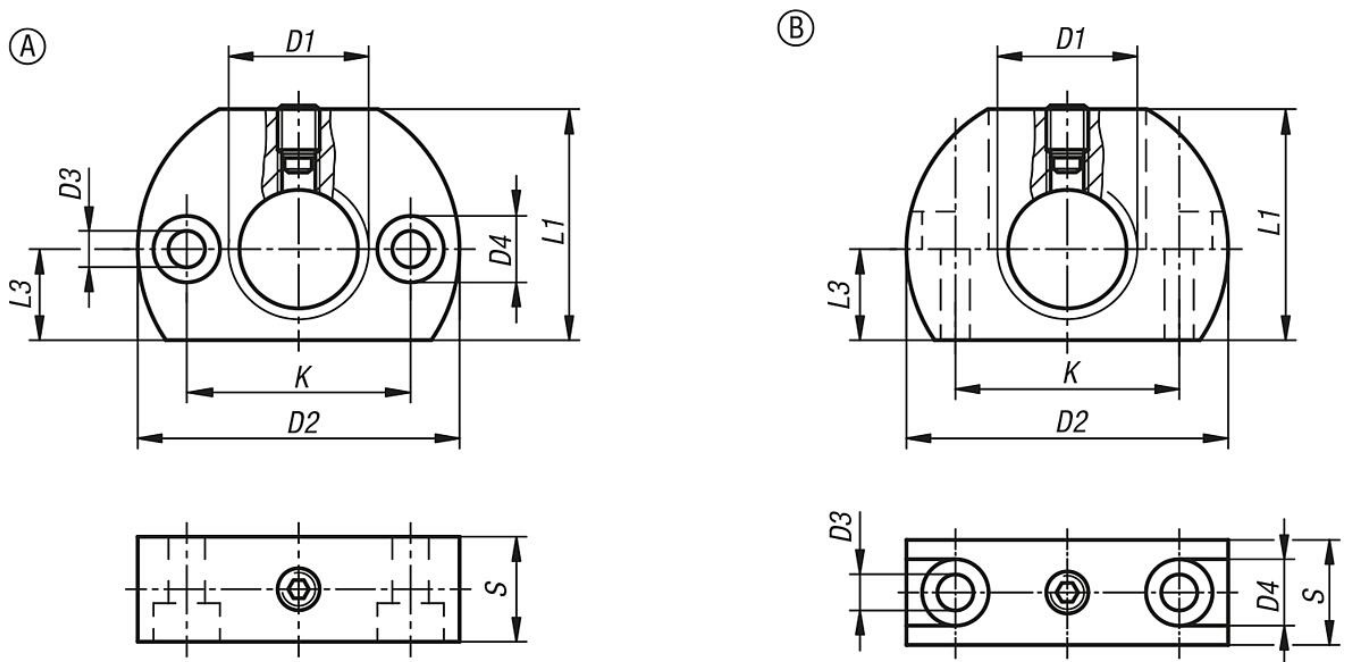
These mounting brackets are assembly aids for cam-action indexing plungers and extend their application field. They can also be used with other indexing plungers or other elements that have a suitable thread. Fastened using cap screws.

Drawing reference:

Form A: fastening holes parallel to indexing plunger

Form B: fastening holes perpendicular to indexing plunger

Drawings



Overview of items

Order No.	Form	D1	D2	D3	D4	K	L1	L3	S
03099-112	A	M12	36	5,5	10	24	25	10	12
03099-1121	A	M12x1,5	36	5,5	10	24	25	10	12
03099-116	A	M16	46	5,5	10	32	33	13	15
03099-1161	A	M16x1,5	46	5,5	10	32	33	13	15
03099-120	A	M20	46	5,5	10	32	33	13	15
03099-1201	A	M20x1,5	46	5,5	10	32	33	13	15
03099-212	B	M12	36	5,5	10	24	25	10	12
03099-2121	B	M12x1,5	36	5,5	10	24	25	10	12
03099-216	B	M16	46	5,5	10	32	33	13	15
03099-2161	B	M16x1,5	46	5,5	10	32	33	13	15
03099-220	B	M20	46	5,5	10	32	33	13	15
03099-2201	B	M20x1,5	46	5,5	10	32	33	13	15

