

Description

Material:

Steel version

Indexing pin hardened:
grade 5.8.

Stainless steel version

Indexing pin hardened:
Threaded sleeve 1.4305.
Indexing pin 1.4034.

Indexing pin not hardened:

Threaded sleeve 1.4305.
Indexing pin 1.4305.

Mushroom knob black-grey thermoplastic.

Version:

Steel version:

Indexing pin hardened, ground, black oxidised.

Stainless steel version:

Indexing pin hardened, ground and bright.

Indexing pin not hardened, ground and bright.

Note:

Indexing plungers are used to prevent any change in locking position due to lateral forces. A new locking position can only be set after the pin has been manually disengaged.

A screw-in washer can be supplied to help screw in the indexing plungers. The washer is slid beneath the disengaged mushroom knob so that the carrier pins engage in the slot.

On request:

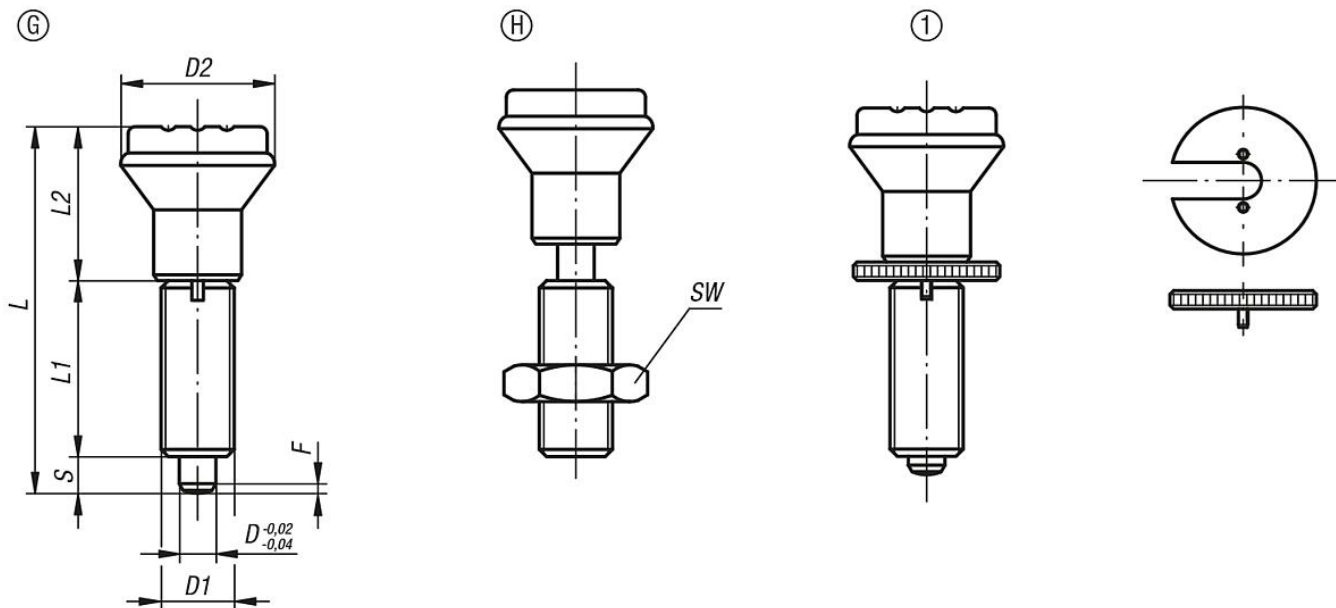
Special versions.

Drawing reference:

Form G: without locknut

Form H: with locknut

1) Indexing plunger with screw-in washer



Overview of items

Order No.	Form	Main material	Surface finish body	D	D1	D2	L	L1	L2	Travel S	SW	Fx30°	Spring force initial pressure F1 approx. N	Spring force final pressure F2 approx. N	Order No. screw-in washer
03094-1105	G	steel	hardened	5	M10x1	21	47	24	18	5	-	1,3	5	12	03094-91
03094-1206	G	steel	hardened	6	M12x1,5	25	56	28	22	6	-	1,8	6	14	03094-92
03094-1308	G	steel	hardened	8	M16x1,5	33	74	36	30	8	-	2,3	15	35	03094-93
03094-1410	G	steel	hardened	10	M20x1,5	33	80	40	30	10	-	2,8	15	34	03094-94
03094-01105	G	stainless steel	hardened	5	M10x1	21	47	24	18	5	-	1,3	5	12	03094-91
03094-01206	G	stainless steel	hardened	6	M12x1,5	25	56	28	22	6	-	1,8	6	14	03094-92
03094-01308	G	stainless steel	hardened	8	M16x1,5	33	74	36	30	8	-	2,3	15	35	03094-93
03094-01410	G	stainless steel	hardened	10	M20x1,5	33	80	40	30	10	-	2,8	15	34	03094-94
03094-11105	G	stainless steel	not hardened	5	M10x1	21	47	24	18	5	-	1,3	5	12	03094-91
03094-11206	G	stainless steel	not hardened	6	M12x1,5	25	56	28	22	6	-	1,8	6	14	03094-92
03094-11308	G	stainless steel	not hardened	8	M16x1,5	33	74	36	30	8	-	2,3	15	35	03094-93
03094-11410	G	stainless steel	not hardened	10	M20x1,5	33	80	40	30	10	-	2,8	15	34	03094-94
03094-2105	H	steel	hardened	5	M10x1	21	47	24	18	5	17	1,3	5	12	03094-91
03094-2206	H	steel	hardened	6	M12x1,5	25	56	28	22	6	19	1,8	6	14	03094-92
03094-2308	H	steel	hardened	8	M16x1,5	33	74	36	30	8	24	2,3	15	35	03094-93
03094-2410	H	steel	hardened	10	M20x1,5	33	80	40	30	10	30	2,8	15	34	03094-94
03094-02105	H	stainless steel	hardened	5	M10x1	21	47	24	18	5	17	1,3	5	12	03094-91
03094-02206	H	stainless steel	hardened	6	M12x1,5	25	56	28	22	6	19	1,8	6	14	03094-92
03094-02308	H	stainless steel	hardened	8	M16x1,5	33	74	36	30	8	24	2,3	15	35	03094-93
03094-02410	H	stainless steel	hardened	10	M20x1,5	33	80	40	30	10	30	2,8	15	34	03094-94
03094-12105	H	stainless steel	not hardened	5	M10x1	21	47	24	18	5	17	1,3	5	12	03094-91
03094-12206	H	stainless steel	not hardened	6	M12x1,5	25	56	28	22	6	19	1,8	6	14	03094-92
03094-12308	H	stainless steel	not hardened	8	M16x1,5	33	74	36	30	8	24	2,3	15	35	03094-93
03094-12410	H	stainless steel	not hardened	10	M20x1,5	33	80	40	30	10	30	2,8	15	34	03094-94