

Description

Material:

Indexing pin hardened:
Threaded sleeve 1.4305.
Indexing pin 1.4034.

Indexing pin not hardened:
Threaded sleeve 1.4305.
Indexing pin 1.4305.

Mushroom grip 1.4305, fine turned.

Version:

Bright.
Indexing pin ground.

Note:

Indexing plungers are used to prevent any change in locking position due to lateral forces. A new locking position can only be set after the pin has been manually disengaged.

A screw-in washer can be supplied to help screw the indexing plungers in. The washer slides beneath the disengaged mushroom knob so that the follower pins engage in the slot.

On request:

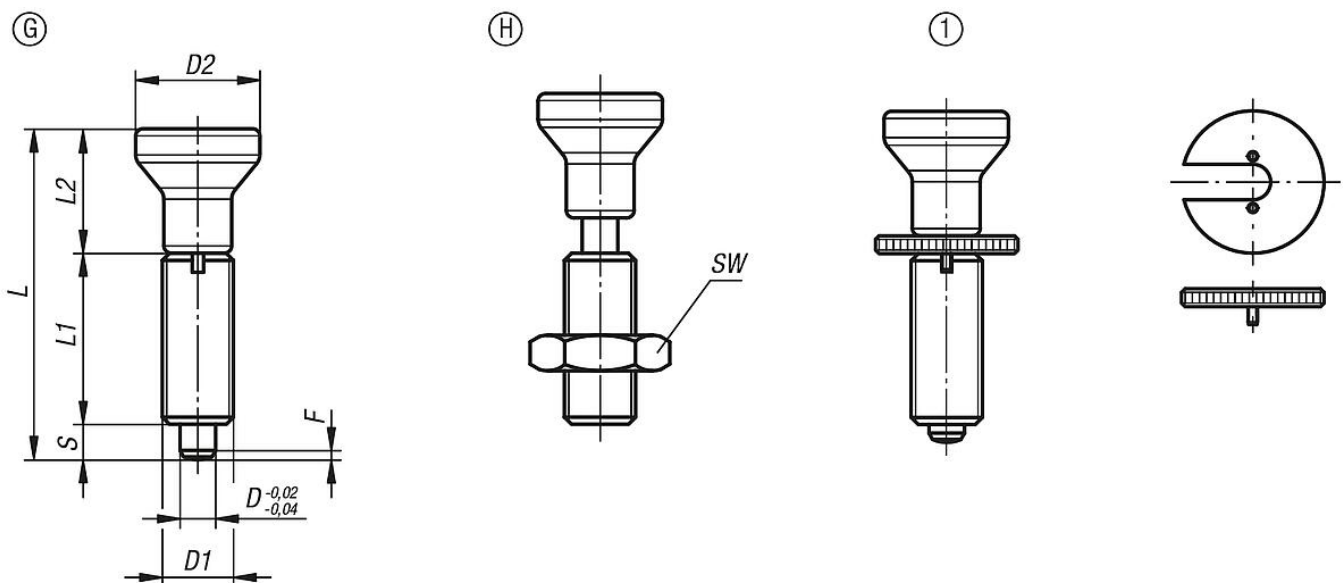
Special versions.

Drawing reference:

Form G: without locknut
Form H: with locknut

1) Indexing plunger with screw-in washer

Drawings



03093 Indexing plungers, stainless steel, without collar, with stainless steel mushroom grip



Overview of items

Order No.	Main material	Form	Surface finish body	D	D1	D2	L	L1	L2	Travel S	SW	Fx30°	Spring force initial pressure F1 approx. N	Spring force final pressure F2 approx. N	Order No. screw-in washer
03093-001903	stainless steel	G	hardened	3	M6x0,75	14	34,5	17	14	3,5	-	0,8	4,5	10	03094-99
03093-001004	stainless steel	G	hardened	4	M8x1	18	43	21	18	4	-	1	6	12	03094-90
03093-001105	stainless steel	G	hardened	5	M10x1	21	50	24	21	5	-	1,3	5	12	03094-91
03093-001206	stainless steel	G	hardened	6	M12x1,5	25	59	28	25	6	-	1,8	6	14	03094-92
03093-001308	stainless steel	G	hardened	8	M16x1,5	33	77	36	33	8	-	2,3	15	35	03094-93
03093-001410	stainless steel	G	hardened	10	M20x1,5	33	83	40	33	10	-	2,8	15	34	03094-94
03093-001412	stainless steel	G	hardened	12	M20x1,5	33	87	42	33	12	-	2,8	15	39	03094-94
03093-001516	stainless steel	G	hardened	16	M24x2	40	106	50	40	16	-	3,2	20	46	03094-95
03093-111903	stainless steel	G	not hardened	3	M6x0,75	14	34,5	17	14	3,5	-	0,8	4,5	10	03094-99
03093-111004	stainless steel	G	not hardened	4	M8x1	18	43	21	18	4	-	1	6	12	03094-90
03093-111105	stainless steel	G	not hardened	5	M10x1	21	50	24	21	5	-	1,3	5	12	03094-91
03093-111206	stainless steel	G	not hardened	6	M12x1,5	25	59	28	25	6	-	1,8	6	14	03094-92
03093-111308	stainless steel	G	not hardened	8	M16x1,5	33	77	36	33	8	-	2,3	15	35	03094-93
03093-111410	stainless steel	G	not hardened	10	M20x1,5	33	83	40	33	10	-	2,8	15	34	03094-94
03093-111412	stainless steel	G	not hardened	12	M20x1,5	33	87	42	33	12	-	2,8	15	39	03094-94
03093-111516	stainless steel	G	not hardened	16	M24x2	40	106	50	40	16	-	3,2	20	46	03094-95
03093-002903	stainless steel	H	hardened	3	M6x0,75	14	34,5	17	14	3,5	10	0,8	4,5	10	03094-99
03093-002004	stainless steel	H	hardened	4	M8x1	18	43	21	18	4	13	1	6	12	03094-90
03093-002105	stainless steel	H	hardened	5	M10x1	21	50	24	21	5	17	1,3	5	12	03094-91
03093-002206	stainless steel	H	hardened	6	M12x1,5	25	59	28	25	6	19	1,8	6	14	03094-92
03093-002308	stainless steel	H	hardened	8	M16x1,5	33	77	36	33	8	24	2,3	15	35	03094-93
03093-002410	stainless steel	H	hardened	10	M20x1,5	33	83	40	33	10	30	2,8	15	34	03094-94
03093-002412	stainless steel	H	hardened	12	M20x1,5	33	87	42	33	12	30	2,8	15	39	03094-94
03093-002516	stainless steel	H	hardened	16	M24x2	40	106	50	40	16	36	3,2	20	46	03094-95
03093-112903	stainless steel	H	not hardened	3	M6x0,75	14	34,5	17	14	3,5	10	0,8	4,5	10	03094-99
03093-112004	stainless steel	H	not hardened	4	M8x1	18	43	21	18	4	13	1	6	12	03094-90
03093-112105	stainless steel	H	not hardened	5	M10x1	21	50	24	21	5	17	1,3	5	12	03094-91
03093-112206	stainless steel	H	not hardened	6	M12x1,5	25	59	28	25	6	19	1,8	6	14	03094-92
03093-112308	stainless steel	H	not hardened	8	M16x1,5	33	77	36	33	8	24	2,3	15	35	03094-93
03093-112410	stainless steel	H	not hardened	10	M20x1,5	33	83	40	33	10	30	2,8	15	34	03094-94
03093-112412	stainless steel	H	not hardened	12	M20x1,5	33	87	42	33	12	30	2,8	15	39	03094-94
03093-112516	stainless steel	H	not hardened	16	M24x2	40	106	50	40	16	36	3,2	20	46	03094-95