

## Item description/product images



## Description

**Material:**

Screw and thrust pad steel.

**Version:**

Screw black.

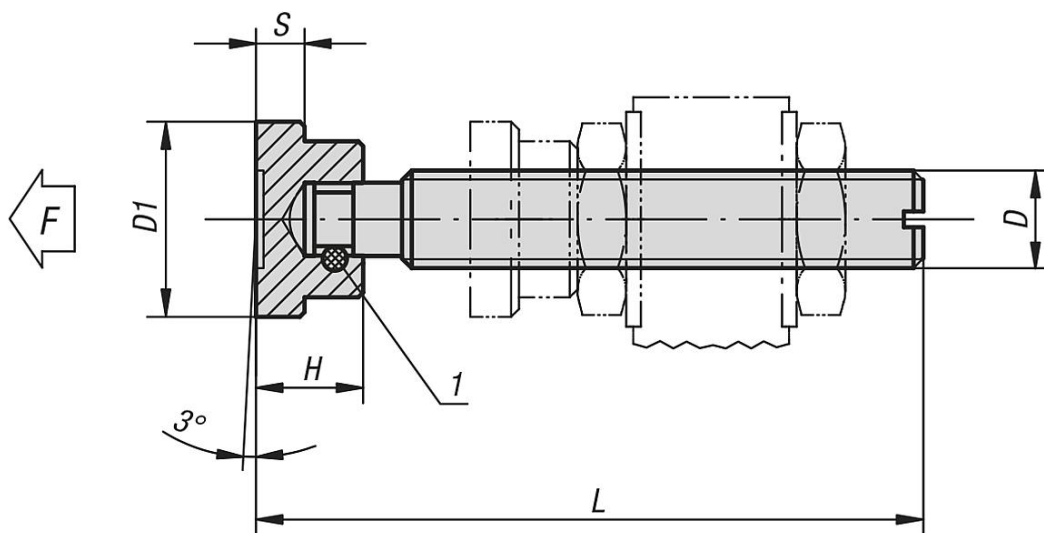
Thrust pad black oxidised.

Screw pin and thrust pad case-hardened.

**Drawing reference:**

1) retaining pin

## Drawings



## Overview of items

Order No.	L	H	D	D1	S	F max. kN
05241-06X52	52	7	M6	12	2,5	1
05241-08X63	63	9	M8	16	4	2,3
05241-10X84	84	11	M10	20	5	3,5
05241-12X104	104	13	M12	25	6	4,6
05241-14X105	105	14	M14	28	6	5
05241-16X130	130	15	M16	32	7	6

