

## Item description/product images

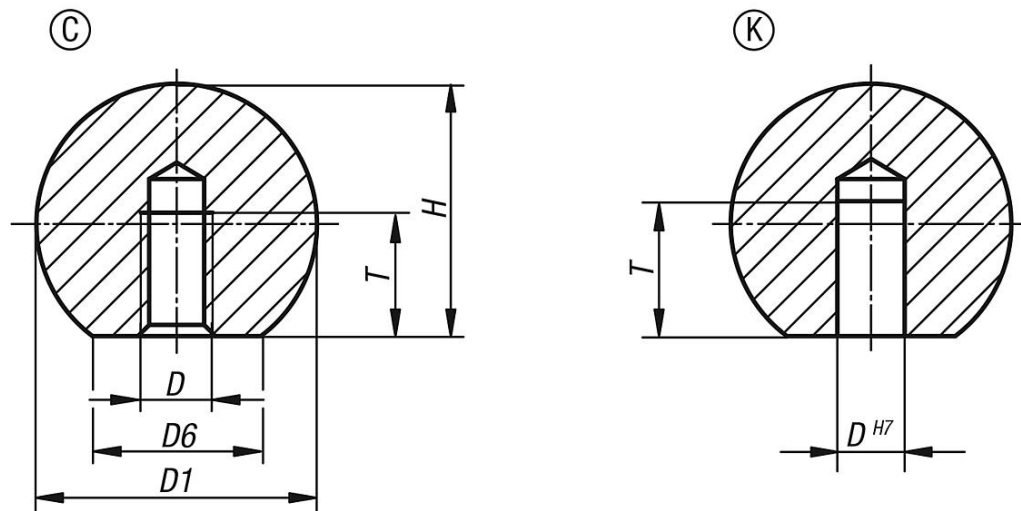


## Description

**Version:**  
Polished.

**Drawing reference:**  
Form C: tapped hole  
Form K: reamed hole

## Drawings



## Overview of items

Order No.	Form	Form definition	Main material	Steel code	D	D1	D6	H	T
06247-120052	C	with internal thread	stainless steel	1.4305	M5	20	12	18	9,1
06247-140102	C	with internal thread	stainless steel	1.4305	M10	40	22	37	18
06247-150122	C	with internal thread	stainless steel	1.4305	M12	50	28	46	21
06247-116044	C	with internal thread	stainless steel	1.4301	M4	16	8	15	7,2
06247-140104	C	with internal thread	stainless steel	1.4301	M10	40	22	37	18
06247-132084	C	with internal thread	stainless steel	1.4301	M8	32	18	29	14,5
06247-150124	C	with internal thread	stainless steel	1.4301	M12	50	28	46	21
06247-125064	C	with internal thread	stainless steel	1.4301	M6	25	15	22,5	11
06247-120054	C	with internal thread	stainless steel	1.4301	M5	20	12	18	9,1
06247-116043	C	with internal thread	aluminium	-	M4	16	8	15	7,2
06247-120053	C	with internal thread	aluminium	-	M5	20	12	18	9,1
06247-125063	C	with internal thread	aluminium	-	M6	25	15	22,5	11
06247-132083	C	with internal thread	aluminium	-	M8	32	18	29	14,5
06247-140103	C	with internal thread	aluminium	-	M10	40	22	37	18
06247-150123	C	with internal thread	aluminium	-	M12	50	28	46	21
06247-316042	K	with reamed hole	stainless steel	1.4301	6	16	8	15	10
06247-320052	K	with reamed hole	stainless steel	1.4301	8	20	12	18	12
06247-325062	K	with reamed hole	stainless steel	1.4301	10	25	15	22,5	16
06247-332082	K	with reamed hole	stainless steel	1.4301	12	32	18	29	20
06247-340102	K	with reamed hole	stainless steel	1.4301	16	40	22	37	25
06247-350122	K	with reamed hole	stainless steel	1.4301	20	50	28	46	32
06247-316043	K	with reamed hole	aluminium	-	6	16	8	15	10
06247-320053	K	with reamed hole	aluminium	-	8	20	12	18	12
06247-325063	K	with reamed hole	aluminium	-	10	25	15	22,5	16
06247-332083	K	with reamed hole	aluminium	-	12	32	18	29	20
06247-340103	K	with reamed hole	aluminium	-	16	40	22	37	25
06247-350123	K	with reamed hole	aluminium	-	20	50	28	46	32

Overview of items

---