

Item description/product images



Description

Material:

Black thermoset PF 31.
 Bush and screw electro zinc-plated steel.

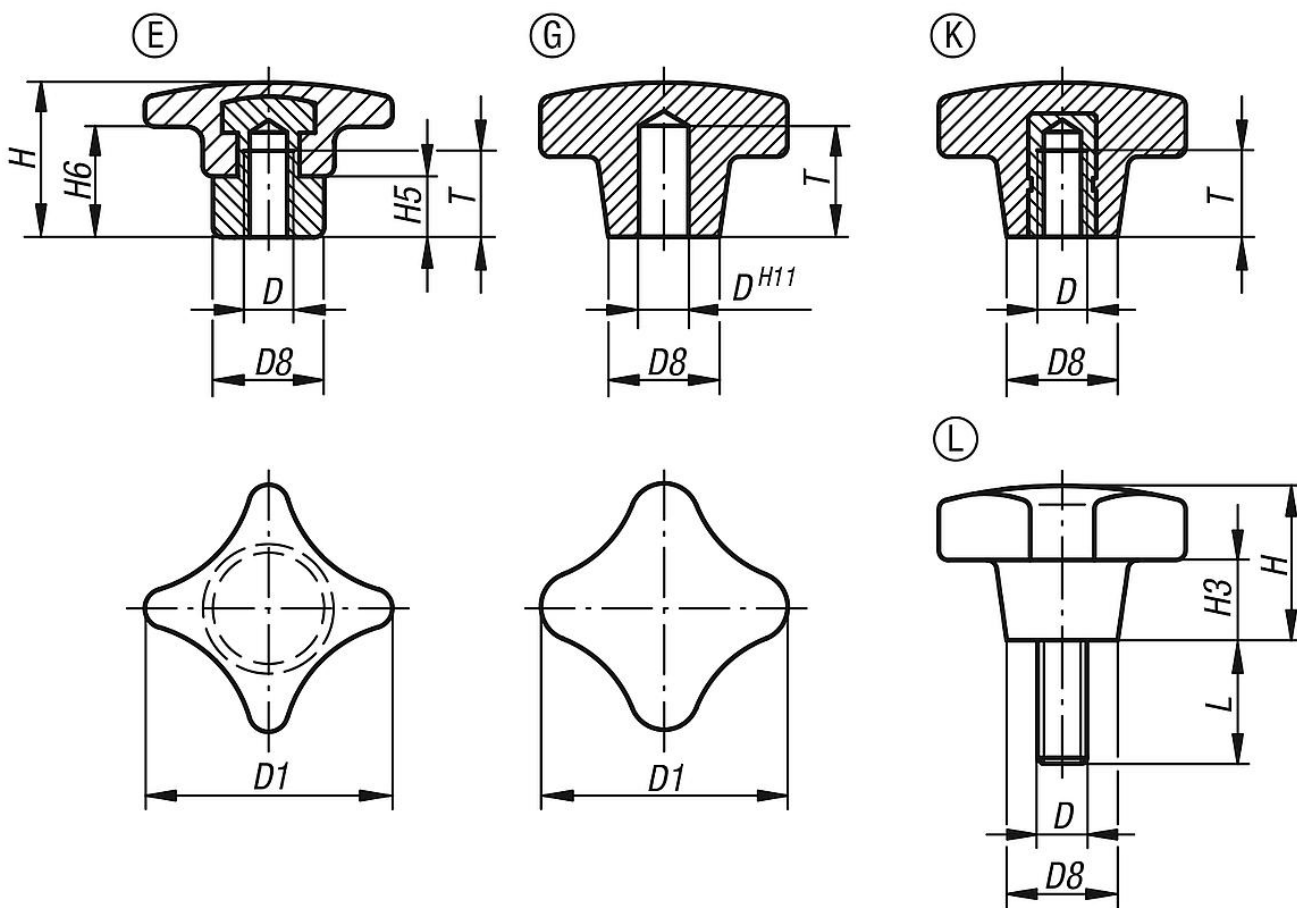
Version:

High-gloss polished.

Drawing reference:

Form E: projecting steel bush
 Form G: blind hole
 Form K: tapped bush
 Form L: external thread

Drawings



Overview of items

Order No.	Form	D	D1	D8	H	H3	H5	H6	L	T
06180-306	E	M6	32	12	23	-	9	12	-	12
06180-308	E	M8	40	14	26	-	10	13	-	15
06180-310	E	M10	50	18	32	-	12	18	-	18
06180-312	E	M12	63	20	40	-	14	23	-	22
06180-316	E	M16	80	25	50	-	17	28	-	28
06180-405	G	5	25	12	16	8	-	-	-	12
06180-406	G	6	32	14	20	10	-	-	-	15

Overview of items

Order No.	Form	D	D1	D8	H	H3	H5	H6	L	T
06180-408	G	8	40	18	25	13	-	-	-	18
06180-410	G	10	50	22	32	20	-	-	-	21
06180-412	G	12	63	26	40	25	-	-	-	25
06180-205	K	M5	25	12	16	8	-	-	-	9,5
06180-206	K	M6	32	14	20	10	-	-	-	12
06180-208	K	M8	40	18	25	13	-	-	-	14
06180-210	K	M10	50	22	32	20	-	-	-	18
06180-212	K	M12	63	26	40	25	-	-	-	22
06180-216	K	M16	80	35	50	30	-	-	-	30
06180-505X15	L	M5	25	12	16	8	-	-	15	-
06180-505X20	L	M5	25	12	16	8	-	-	20	-
06180-505X25	L	M5	25	12	16	8	-	-	25	-
06180-505X30	L	M5	25	12	16	8	-	-	30	-
06180-505X40	L	M5	25	12	16	8	-	-	40	-
06180-505X50	L	M5	25	12	16	8	-	-	50	-
06180-506X15	L	M6	32	14	20	10	-	-	15	-
06180-506X20	L	M6	32	14	20	10	-	-	20	-
06180-506X25	L	M6	32	14	20	10	-	-	25	-
06180-506X30	L	M6	32	14	20	10	-	-	30	-
06180-506X40	L	M6	32	14	20	10	-	-	40	-
06180-506X50	L	M6	32	14	20	10	-	-	50	-
06180-508X20	L	M8	40	18	25	13	-	-	20	-
06180-508X25	L	M8	40	18	25	13	-	-	25	-
06180-508X30	L	M8	40	18	25	13	-	-	30	-
06180-508X35	L	M8	40	18	25	13	-	-	35	-
06180-508X40	L	M8	40	18	25	13	-	-	40	-
06180-508X45	L	M8	40	18	25	13	-	-	45	-
06180-508X50	L	M8	40	18	25	13	-	-	50	-
06180-510X20	L	M10	50	22	32	20	-	-	20	-
06180-510X25	L	M10	50	22	32	20	-	-	25	-
06180-510X30	L	M10	50	22	32	20	-	-	30	-
06180-510X35	L	M10	50	22	32	20	-	-	35	-
06180-510X40	L	M10	50	22	32	20	-	-	40	-
06180-510X45	L	M10	50	22	32	20	-	-	45	-
06180-510X50	L	M10	50	22	32	20	-	-	50	-
06180-512X20	L	M12	63	26	40	25	-	-	20	-
06180-512X30	L	M12	63	26	40	25	-	-	30	-
06180-512X40	L	M12	63	26	40	25	-	-	40	-
06180-512X50	L	M12	63	26	40	25	-	-	50	-
06180-512X60	L	M12	63	26	40	25	-	-	60	-