

Item description/product images



Description

Material:

Stainless steel 1.4308.
 Grub screw stainless steel 1.4305.
 Pin stainless steel 1.4310.

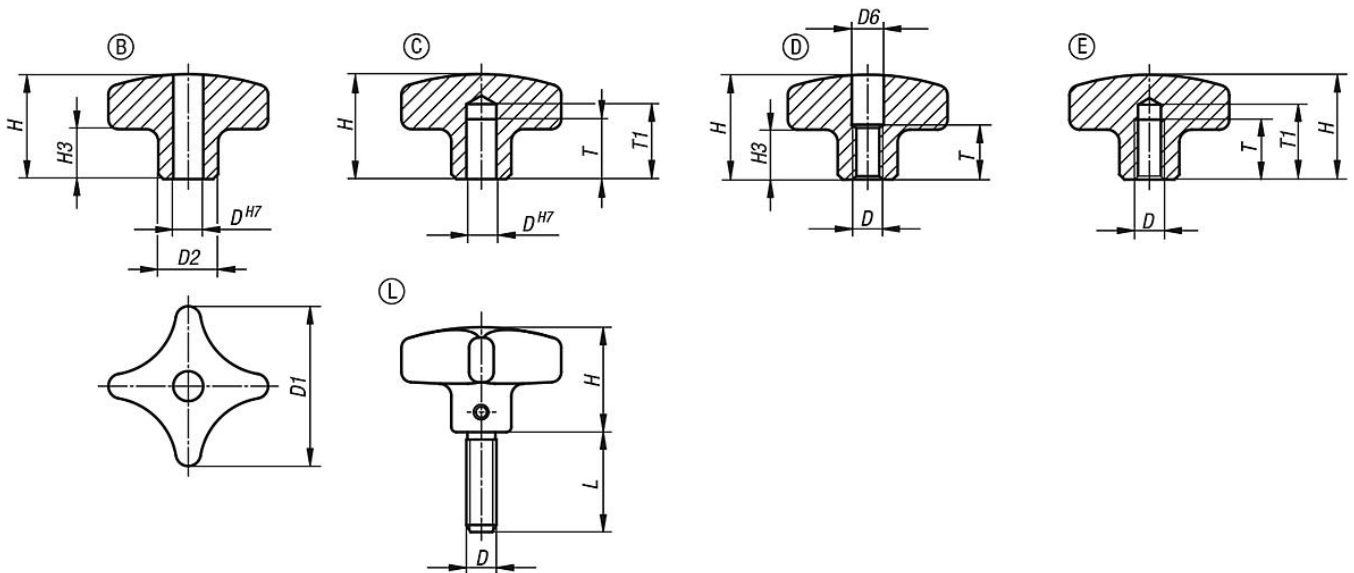
Version:

Ground and polished or blasted.
 Grub screw and pin bright.

Drawing reference:

Form B: drilled through
 Form C: blind hole
 Form D: tapped and counterbored
 Form E: tapped blind hole
 Form L: external thread

Drawings



Overview of items

Order No.	Form	Surface finish body	D	D1	D2	D6	H	H3	L	T	T1
06158-2032062	B	polished	6	32	12	-	21	10	-	-	-
06158-2040082	B	polished	8	40	14	-	26	14	-	-	-
06158-2050102	B	polished	10	50	18	-	34	20	-	-	-
06158-2063122	B	polished	12	63	20	-	42	25	-	-	-
06158-2032063	B	blasted	6	32	12	-	21	10	-	-	-
06158-2040083	B	blasted	8	40	14	-	26	14	-	-	-
06158-2050103	B	blasted	10	50	18	-	34	20	-	-	-
06158-2063123	B	blasted	12	63	20	-	42	25	-	-	-
06158-3032062	C	polished	6	32	12	-	21	10	-	12	15
06158-3040082	C	polished	8	40	14	-	26	14	-	15	18
06158-3050102	C	polished	10	50	18	-	34	20	-	18	21
06158-3063122	C	polished	12	63	20	-	42	25	-	22	25
06158-3032063	C	blasted	6	32	12	-	21	10	-	12	15
06158-3040083	C	blasted	8	40	14	-	26	14	-	15	18
06158-3050103	C	blasted	10	50	18	-	34	20	-	18	21

Overview of items

Order No.	Form	Surface finish body	D	D1	D2	D6	H	H3	L	T	T1
06158-3063123	C	blasted	12	63	20	-	42	25	-	22	25
06158-4032062	D	polished	M6	32	12	6,4	21	10	-	11	-
06158-4040082	D	polished	M8	40	14	8,4	26	14	-	14	-
06158-4050102	D	polished	M10	50	18	10,5	34	20	-	18	-
06158-4063122	D	polished	M12	63	20	13	42	25	-	22	-
06158-4032063	D	blasted	M6	32	12	6,4	21	10	-	11	-
06158-4040083	D	blasted	M8	40	14	8,4	26	14	-	14	-
06158-4050103	D	blasted	M10	50	18	10,5	34	20	-	18	-
06158-4063123	D	blasted	M12	63	20	13	42	25	-	22	-
06158-5032062	E	polished	M6	32	12	-	21	10	-	12	15
06158-5040082	E	polished	M8	40	14	-	26	14	-	15	18
06158-5050102	E	polished	M10	50	18	-	34	20	-	18	21
06158-5063122	E	polished	M12	63	20	-	42	25	-	22	25
06158-5032063	E	blasted	M6	32	12	-	21	10	-	12	15
06158-5040083	E	blasted	M8	40	14	-	26	14	-	15	18
06158-5050103	E	blasted	M10	50	18	-	34	20	-	18	21
06158-5063123	E	blasted	M12	63	20	-	42	25	-	22	25
06158-6032063X15	L	blasted	M6	32	12	-	21	10	15	-	-
06158-6032063X20	L	blasted	M6	32	12	-	21	10	20	-	-
06158-6032063X25	L	blasted	M6	32	12	-	21	10	25	-	-
06158-6032063X30	L	blasted	M6	32	12	-	21	10	30	-	-
06158-6032063X40	L	blasted	M6	32	12	-	21	10	40	-	-
06158-6032063X50	L	blasted	M6	32	12	-	21	10	50	-	-
06158-6040083X20	L	blasted	M8	40	14	-	26	14	20	-	-
06158-6040083X25	L	blasted	M8	40	14	-	26	14	25	-	-
06158-6040083X30	L	blasted	M8	40	14	-	26	14	30	-	-
06158-6040083X40	L	blasted	M8	40	14	-	26	14	40	-	-
06158-6040083X50	L	blasted	M8	40	14	-	26	14	50	-	-
06158-6050103X20	L	blasted	M10	50	18	-	34	20	20	-	-
06158-6050103X25	L	blasted	M10	50	18	-	34	20	25	-	-
06158-6050103X30	L	blasted	M10	50	18	-	34	20	30	-	-
06158-6050103X40	L	blasted	M10	50	18	-	34	20	40	-	-
06158-6050103X50	L	blasted	M10	50	18	-	34	20	50	-	-
06158-6063123X20	L	blasted	M12	63	20	-	42	25	20	-	-
06158-6063123X30	L	blasted	M12	63	20	-	42	25	30	-	-
06158-6063123X40	L	blasted	M12	63	20	-	42	25	40	-	-
06158-6063123X50	L	blasted	M12	63	20	-	42	25	50	-	-