

Item description/product images



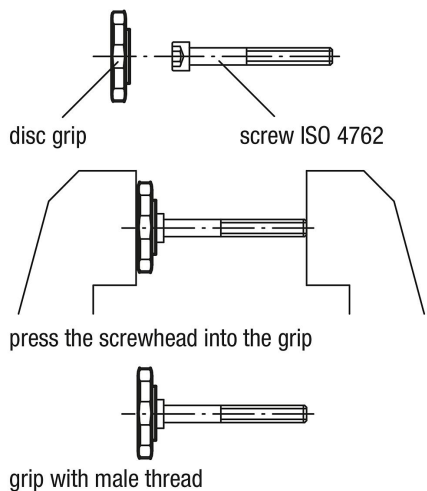
Description

Material:
Thermoplastic.

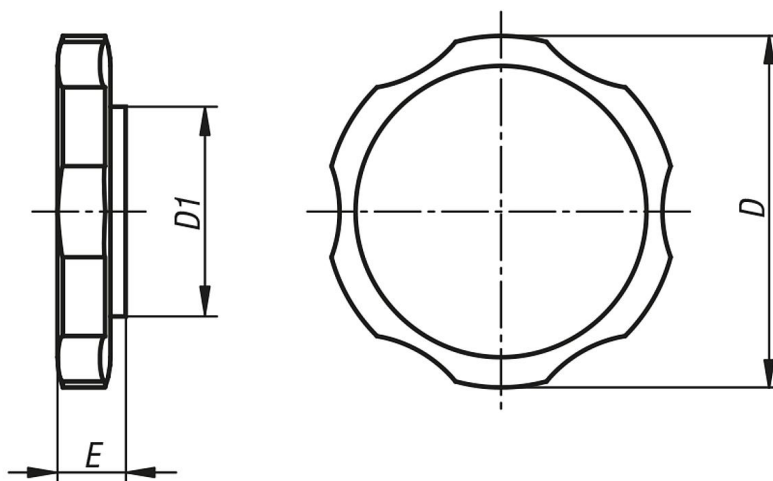
Version:
Black or grey

Note:
Suitable screws see ISO 4762.

Δ Add the desired grip colour here. No colour code is required for black grips



Drawings



Overview of items

Order No.	Colour	D	D1	E	for cap screws
06134-060	black	38	14	13	M6
06134-0605	grey	38	14	13	M6
06134-080	black	38	17	11,5	M8

Overview of items

Order No.	Colour	D	D1	E	for cap screws
06134-0805	grey	38	17	11,5	M8
06134-100	black	38	20	13	M10
06134-1005	grey	38	20	13	M10