

Item description/product images



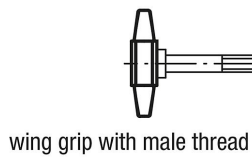
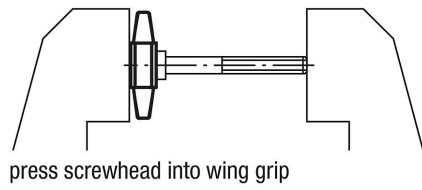
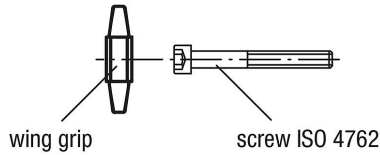
Description

**Material:**  
Thermoplastic.

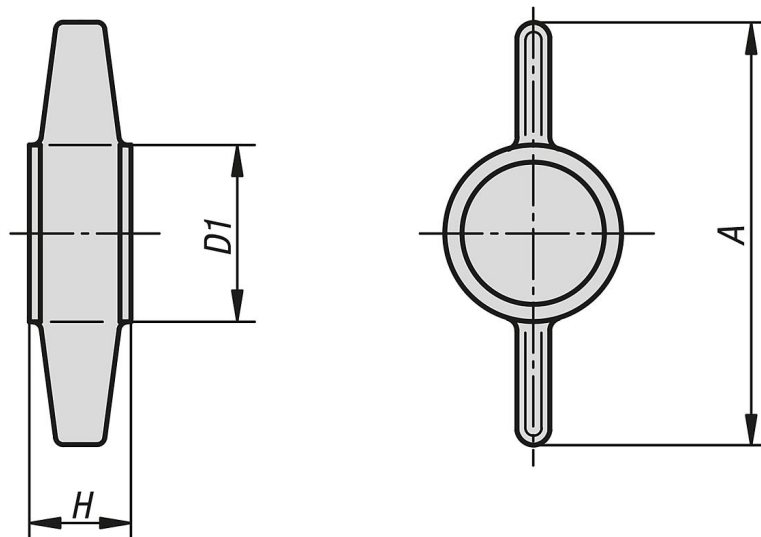
**Version:**  
Black, grey or red.

**Note:**  
Suitable screws ISO 4762.

Δ Add the desired grip colour here. No colour code is required for black grips.



Drawings



Overview of items

Order No.	Main colour	A	D1	H	for cap screws
06133-050	black	26	12	7	M5
06133-0505	grey	26	12	7	M5
06133-0506	red	26	12	7	M5
06133-060	black	30	13,5	8	M6

## Overview of items

Order No.	Main colour	A	D1	H	for cap screws
06133-0605	grey	30	13,5	8	M6
06133-0606	red	30	13,5	8	M6
06133-080	black	38	17	10	M8
06133-0805	grey	38	17	10	M8
06133-0806	red	38	17	10	M8
06133-100	black	45	20	12,5	M10
06133-1005	grey	45	20	12,5	M10
06133-1006	red	45	20	12,5	M10