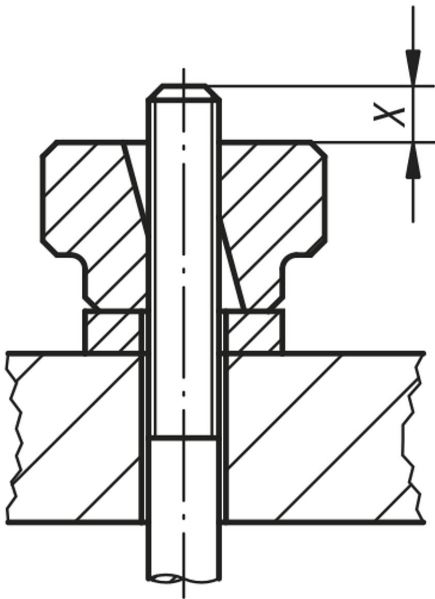
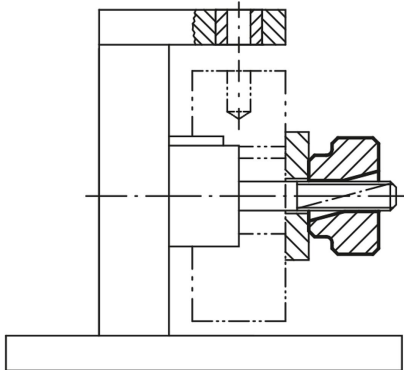


Item description/product images

**Description****Product description:**

Quick-acting knurled nuts are mainly used in applications where no high clamping pressures are required.

Tilt the nut to slide on, then straighten it to engage the threads.

Material:

High carbon steel or stainless steel 1.4404.

Version:

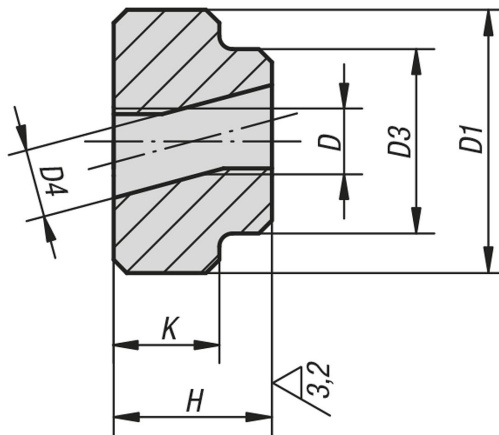
Steel tempered and black oxidised.

Stainless steel bright.

Drawing reference:

X: The stud should be several mm longer than height "H"

Drawings



Overview of items

Order No.	Main material	D	D1	D3	D4	H	K
06030-04	high carbon steel	M4	16	14	4,2	12	8
06030-05	high carbon steel	M5	20	14	5,2	12	8
06030-06	high carbon steel	M6	24	16	6,2	14	10
06030-08	high carbon steel	M8	30	20	8,2	17	12
06030-10	high carbon steel	M10	36	28	10,3	20	14
06030-12	high carbon steel	M12	40	32	12,3	24	16
06030-104	stainless steel	M4	16	14	4,2	12	8
06030-105	stainless steel	M5	20	14	5,2	12	8
06030-106	stainless steel	M6	24	16	6,2	14	10
06030-108	stainless steel	M8	30	20	8,2	17	12
06030-110	stainless steel	M10	36	28	10,3	20	14
06030-112	stainless steel	M12	40	32	12,3	24	16