

## Item description/product images



## Description

**Material:**

Grip polyamide, glass bead reinforced.  
 Bush brass or steel.  
 Screw steel.

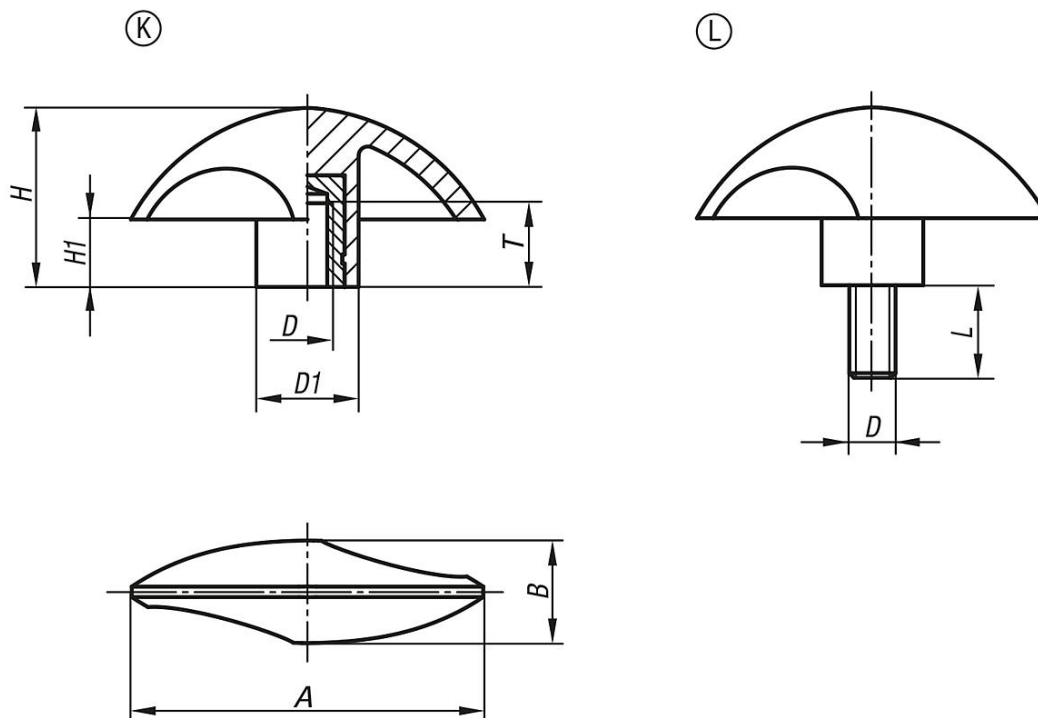
**Version:**

Steel electro zinc-plated.

**Note:**

Temperature resistance from -50 °C to 130 °C.  
 Resistant to common chemicals and oils.

## Drawings



## Overview of items

## Wing grips with internal thread

| Order No.   | Form | A    | B  | D   | D1 | H    | H1   | T  |
|-------------|------|------|----|-----|----|------|------|----|
| 06665-15006 | K    | 51   | 15 | M6  | 15 | 25,5 | 9,5  | 14 |
| 06665-16008 | K    | 61,5 | 18 | M8  | 18 | 31   | 11,5 | 14 |
| 06665-17510 | K    | 76   | 22 | M10 | 22 | 38,5 | 14,5 | 14 |

## Wing grips with external thread

| Order No.      | Form | A    | B  | D   | D1 | H    | H1   | L  |
|----------------|------|------|----|-----|----|------|------|----|
| 06665-25006X15 | L    | 51   | 15 | M6  | 15 | 25,5 | 9,5  | 15 |
| 06665-26008X20 | L    | 61,5 | 18 | M8  | 18 | 31   | 11,5 | 20 |
| 06665-27510X20 | L    | 76   | 22 | M10 | 22 | 38,5 | 14,5 | 20 |

