

Item description/product images



Description

Material:

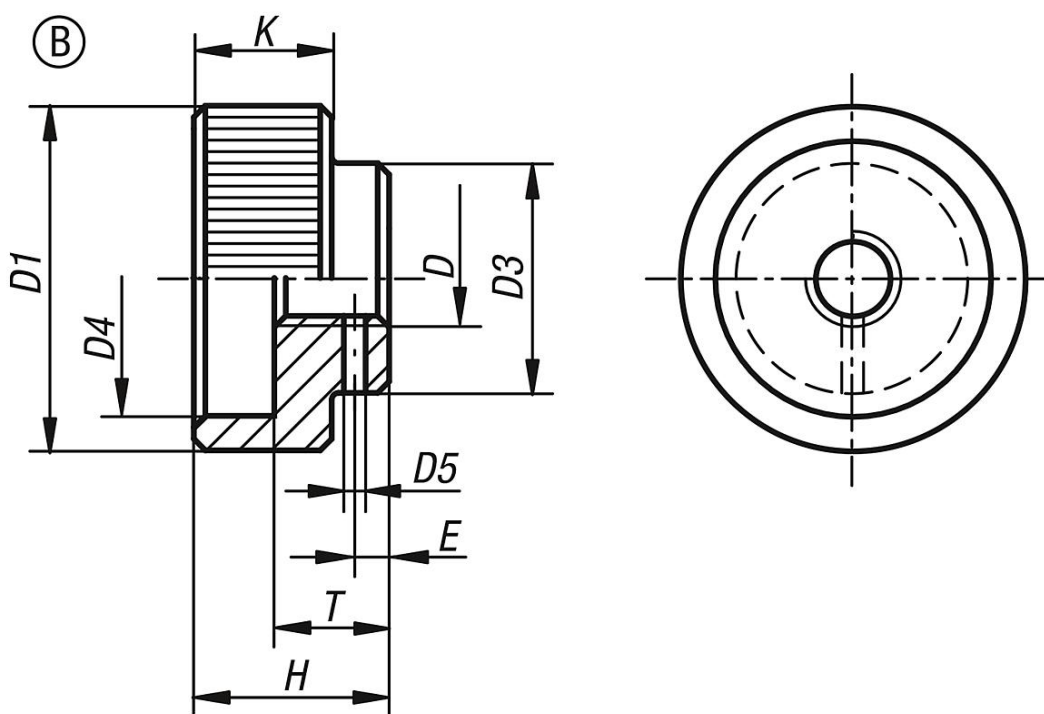
Free-cutting steel black oxidised.

Drawing reference:

Form B: with pin hole

- Drill through and ream pin hole on assembly.

Drawings



Overview of items

Order No.	Form	Main material	D	D1	D3	D4	D5 predrilled	E	H	K	T	suitable dowel pin ISO 2338
06010-205	B	steel	M5	20	14	15	1,4	2,5	12	8	7	1,5
06010-206	B	steel	M6	24	16	18	1,4	2,5	14	10	8	1,5
06010-208	B	steel	M8	30	20	24	1,9	3	17	12	10	2
06010-210	B	steel	M10	36	28	30	2,9	4	20	14	12	3
06010-212	B	steel	M12	40	32	34	3,9	4	24	16	14	4

