

Item description/product images



Description

Material:

Handwheel, reinforced and stabilised polyamide.
 Centre caps, polyamide.
 Centre bushes, steel.
 Tapped insert for cylinder grip, brass.

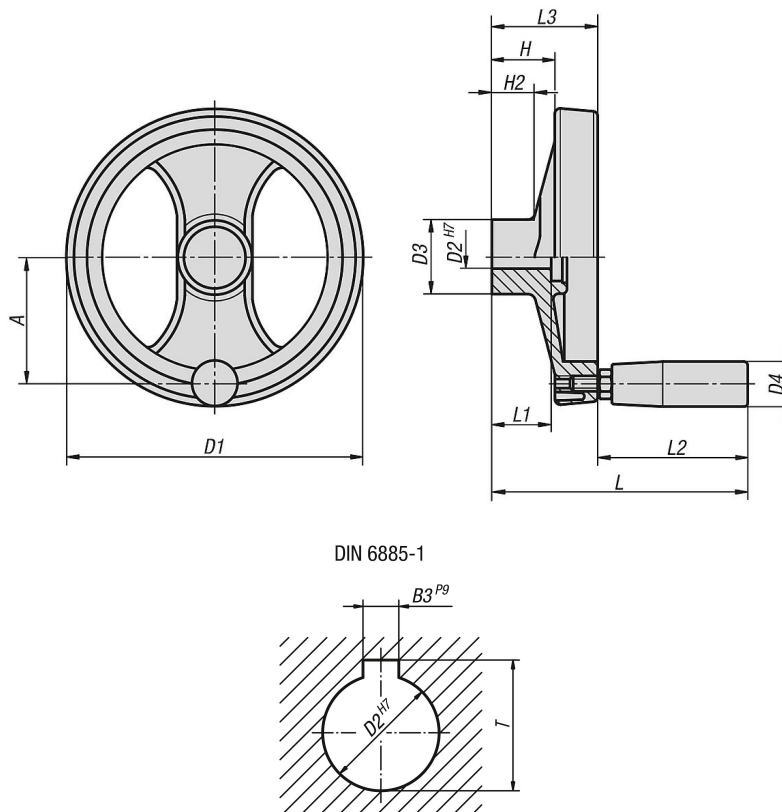
Version:

Handwheel, oil and grease resistant, black (RAL 9011), satin finish.
 Centre caps, grey (RAL 7035).
 Centre bushes, black oxidised.

On request:

Other cap colours.
 Special versions.

Drawings



Overview of items

Order No. reamed hole	Order No. reamed hole with slot	D1	D2	D3	D4	H	H2	A	L	L1	L2	L3	B3	T
06255-4080X08	06255-5080X08	80	8H7	24,5	20	20	16	30	85	20	51	34	-/2	-/9
06255-4080X10	06255-5080X10	80	10H7	24,5	20	20	16	30	85	20	51	34	-/3	-/11,4
06255-4100X10	06255-5100X10	99	10H7	28	20	25,5	20	38	93	24	51	43	-/3	-/11,4
06255-4100X12	06255-5100X12	99	12H7	28	20	25,5	20	38	93	24	51	43	-/4	-/13,8
06255-4130X12	06255-5130X12	129	12H7	32	23	30	21	55	112	24	62	50	-/4	-/13,8
06255-4130X14	06255-5130X14	129	14H7	32	23	30	21	55	112	24	62	50	-/5	-/16,3
06255-4160X14	06255-5160X14	159	14H7	40	23	33	22	66	119	32	62	57	-/5	-/16,3
06255-4160X16	06255-5160X16	159	16H7	40	23	33	22	66	119	32	62	57	-/5	-/18,3

Overview of items

Order No. reamed hole	Order No. reamed hole with slot	D1	D2	D3	D4	H	H2	A	L	L1	L2	L3	B3	T
06255-4200X16	06255-5200X16	198	16H7	51	26	31	17,5	82	141	32	81	60	-/5	-/18,3
06255-4200X20	06255-5200X20	198	20H7	51	26	31	17,5	82	141	32	81	60	-/6	-/22,8
06255-4250X20	06255-5250X20	252	20H7	55,5	27	39,5	24	113	163	36	92	71	-/6	-/22,8
06255-4250X24	06255-5250X24	252	24H7	55,5	27	39,5	24	113	163	36	92	71	-/8	-/27,3
06255-4345X20	06255-5345X20	346	20H7	67,5	27	42	24	146	171	32	92	79	-/6	-/22,8