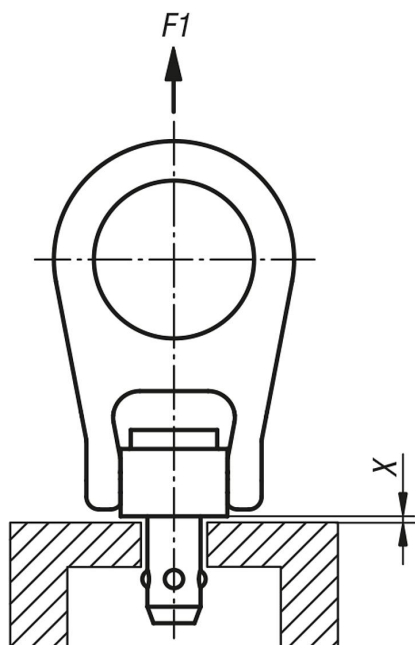


Item description/product images



Description

Material:

Pin and shackle stainless steel 1.4542.

Push button stainless steel 1.4305.

Ball stainless steel 1.4125.

Spring stainless steel 1.4310.

Version:

Pin and balls hardened and passivated

Note:

Quick and easy lifting device with swing shackle and safety bar against unintended release. The balls are unlocked by pressing the push button. When the push button is released the balls are securely locked.

Corrosion and weather resistant.

High tensile, hardened pin for extreme loads with the high wear resistance.

Temperature range max. 250 °C.

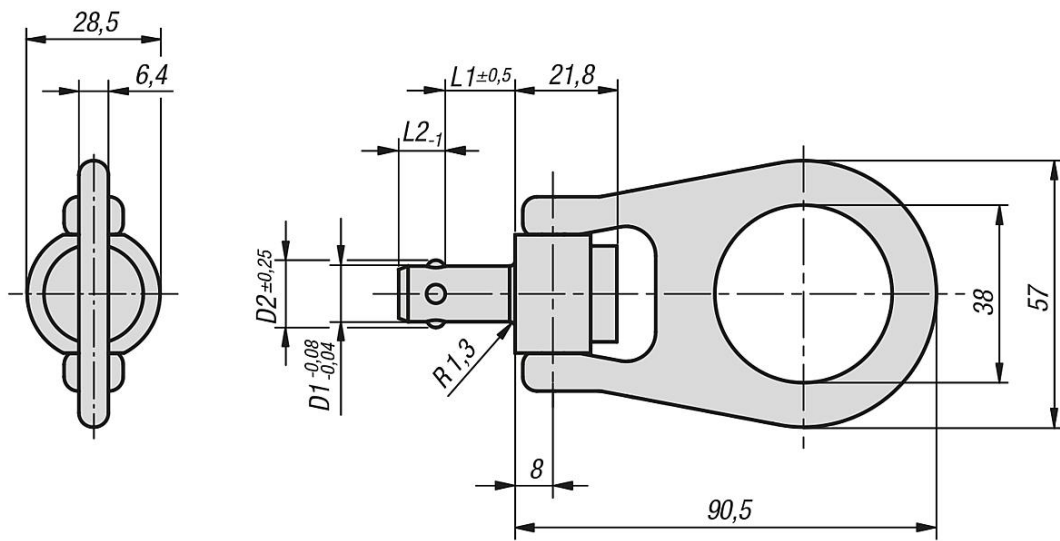
CE certified.

Values X max, and F1 with 5x safety factor.

Accessory:

Receiver bushes 07784.

Drawings



Overview of items

Order No.	D1	D2	L1	L2	X max.	F1 kN	Receiving hole
07782-2810X35	10	12	35	9	1,5	4,4	10 +0,1
07782-2810X50	10	12	50	9	1,5	4,4	10 +0,1
07782-2812X20	12	14,27	20	10	1,5	5,5	12 +0,1
07782-2812X25	12	14,27	25	10	1,5	5,5	12 +0,1
07782-2812X30	12	14,27	30	10	1,5	5,5	12 +0,1
07782-2812X35	12	14,27	35	10	1,5	5,5	12 +0,1
07782-2812X40	12	14,27	40	10	1,5	5,5	12 +0,1
07782-2816X30	16	19	30	14	1,5	6,2	16 +0,1
07782-2816X35	16	19	35	14	1,5	6,2	16 +0,1
07782-2816X40	16	19	40	14	1,5	6,2	16 +0,1
07782-2816X75	16	19	75	14	1,5	6,2	16 +0,1
07782-2816X100	16	19	100	14	1,5	6,2	16 +0,1