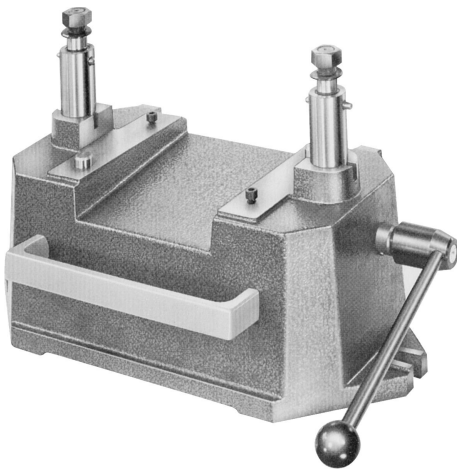


Item description/product images



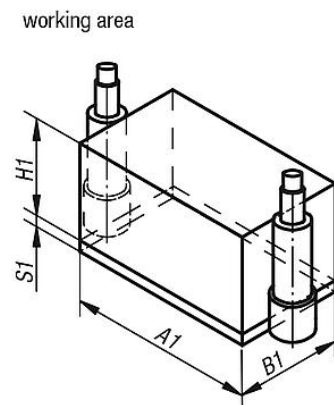
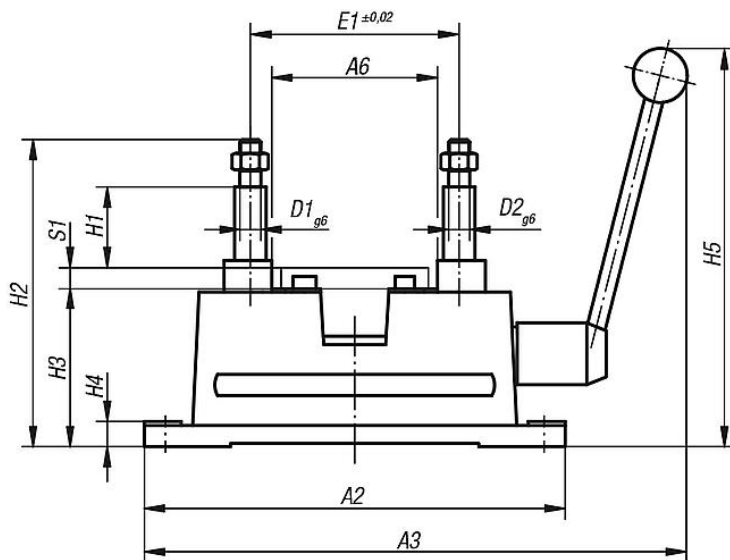
Description

Note:

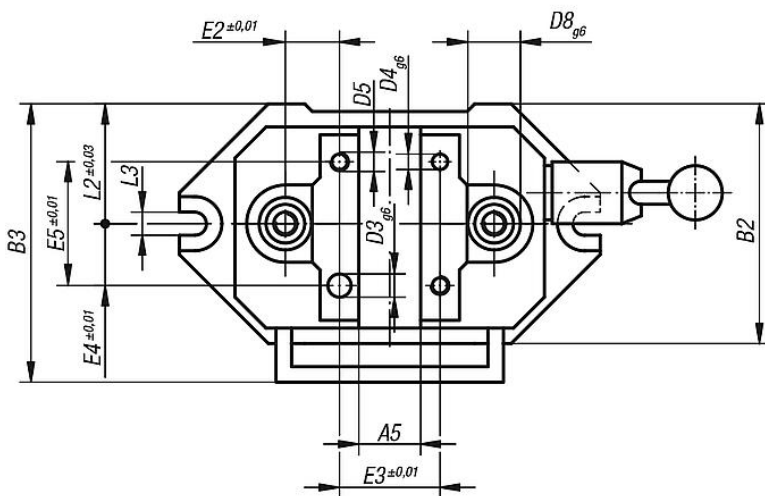
Accessories see 08570 – 08610.

Force table, see technical information for DIN 6348 drilling jigs.

Drawings



The working area can be expanded:
 By A1 and B1 with larger drilling plates or support plates.
 By H1 with extension columns 08600 and 08610.



Overview of items

Order No.	Size	Size DIN 6348	A1	A2	A3	A5	A6	B1	B2	B3	D1	D2	D3	D4	D5	D8
08550-03	3	100x125	85	270	340	39	95	125	155	195	20	18	14	10	M6	30
08550-04	4	200x160	188	400	480	120	195	160	195	235	20	18	14	10	M8	30

Order No.	E1	E2	E3	E4	E5	H1 min.	H1 max.	H2 min.	H2 max.	H3	H4	H5	L2	L3	S1	Travel at 210°
08550-03	132	36	60	37,5	75	10	80	194	264	130	24	400	80	16	10	42
08550-04	236	43	150	50	100	5	95	205	295	152	24	420	100	16	15	42