

Item description/product images



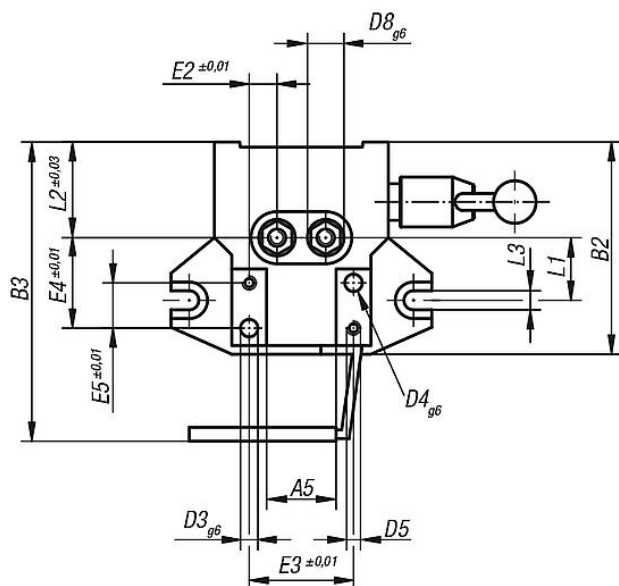
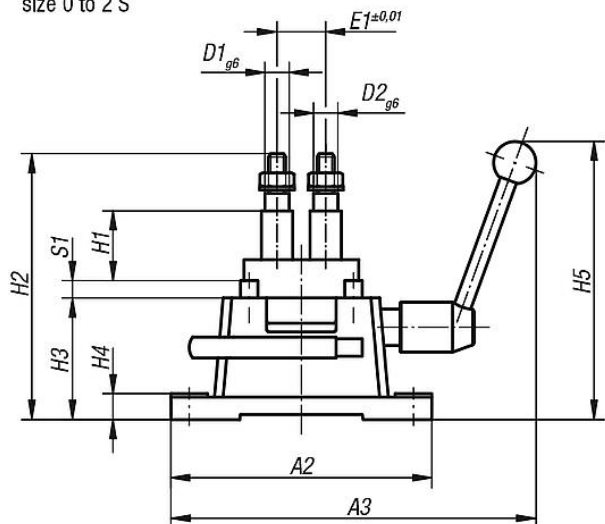
Description

Note:

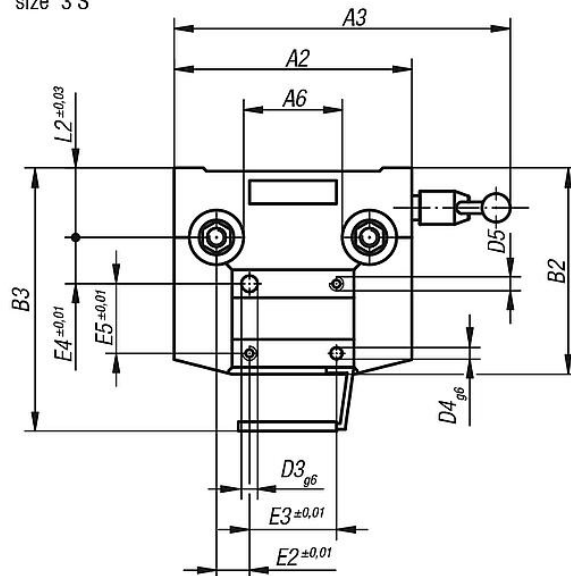
Accessories, see 08570 - 08610 and 08640 - 08710.  
Force table, see technical information for DIN 6348 drilling jigs.

Drawings

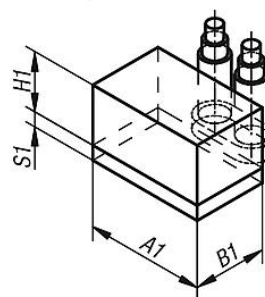
size 0 to 2 S



size 3 S



working area



The working area can be expanded:  
By A1 and B1 with larger drilling plates or support plates.  
By H1 with extension columns 08600 and 08610.

## Overview of items

Order No.	Size	Size DIN 6348	A1	A2	A3	A5	A6	B1	B2	B3	D1	D2	D3	D4	D5	D8
08550-00	0	60x32	63	100	190	35	-	32	86	-	10	9	4	5	M4	15

Order No.	E1	E2	E3	E4	E5	H1 min.	H1 max.	H2 min.	H2 max.	H3	H4	H5	L1	L2	L3	S1	Travel at 210°
08550-00	24	13	50	40	18	3	28	73,5	100	48	9	125	31	35	-	6	42