

## Item description/product images



## Description

**Material:**

Housing, steel.  
 M8x0.75 housing in stainless steel.  
 Steel piston rod.  
 Steel nut.  
 Collision head in steel, plastic.

**Version:**

Housing nickel plated.  
 Housing M8x0.75, bright.  
 Housing M8x1 black oxidised.  
 Piston rod hard chromed.  
 Nut nickel plated.

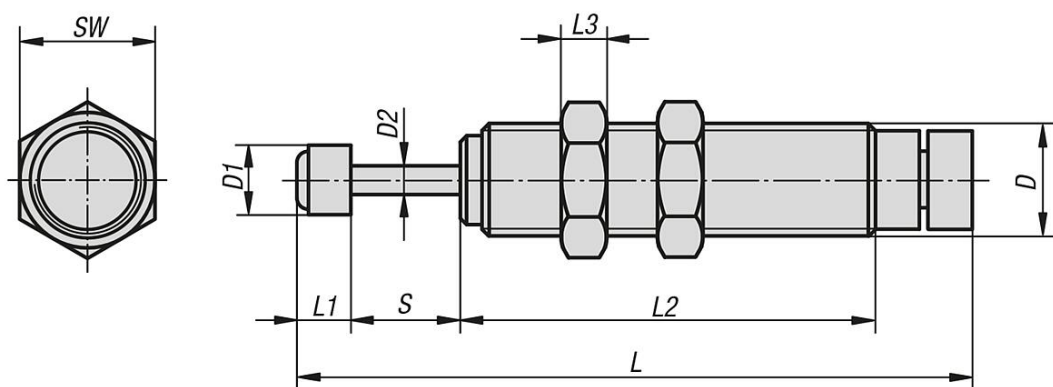
**Note:**

Industrial shock absorbers are maintenance-free, ready to install hydraulic components. They have an integrated fixed stop. The damping strength can be precisely set with the adjustable version. After installation, the equipment is run a few times and the adjustment screw rotated until the optimal braking is achieved. Exceeding the max. energy input per hour is possible if a pause is made every now and then or the shock absorber is air cooled. The end position is optional.

**Note:**

Industrial shock absorber, adjustable, M8x1 (26300-0810008) supplied with one nut only.

## Drawings



## Overview of items

Order No.	D	D1	D2	L	L1	L2	L3	Travel S	SW
26300-0807506	M8X0,75	6	2,5	58	5	41	2	6	11
26300-0810008	M8X1	6,4	2,5	61,1	5,1	43,9	3	8	10
26300-1010008	M10X1	6	2,4	65	6	41	3	8	13
26300-1210010	M12X1	8	3,5	84	8	61	4	10	14
26300-1415010	M14x1,5	10	3,5	88	8	59	6	10	17
26300-2015016	M20X1,5	18	6	127	17	76	8	16	24
26300-2515030	M25x1,5	22	8	173	18	111	10	30	32

## Overview of items

Order No.	max. energy input per stroke Nm	max. energy input per hour Nm	effective mass max. kg	speed range m/s	return force N	axis deviation max. (°)
26300-0807506	1,4	2202	15	0,3 - 2	9	2,5
26300-0810008	3,5	5650	15	0,3 - 2	5,3	2
26300-1010008	1,76	3528	10	0,3 - 2	5,88	2,5
26300-1210010	4,9	5880	30	0,3 - 2	9,8	2,5
26300-1415010	5,88	8820	35	0,3 - 2	9,8	2,5
26300-2015016	-	20580	200	0,3 - 2	18,1	2,5
26300-2515030	49	29400	300	0,3 - 2	33,2	2,5