

## Item description/product images



## Description

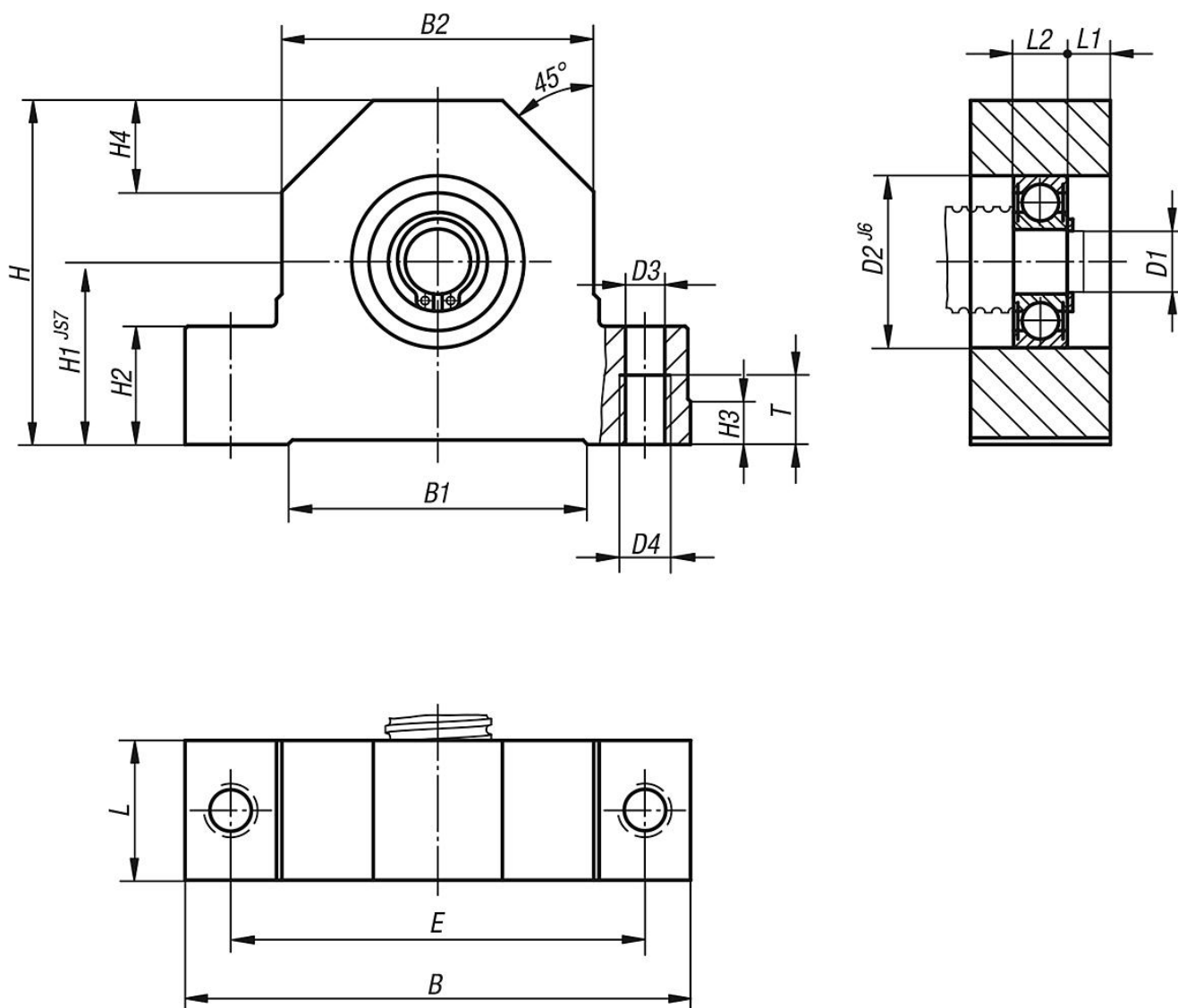
**Material:**  
Housing steel.

**Version:**  
Housing black oxidised.

**Note:**  
The axis height of the spindle bearings is matched to the fixed bearing units 24072 and the housings for flange nuts 24070. The housings may be screwed on from above or below. Reference faces on both sides ease unit alignment.

Ready to install floating bearing units with deep groove ball bearings.

## Drawings



## Overview of items

Order No.	Suitable for spindle $\emptyset$	B	B1	B2	D1	D2	D3	D4	E	H	H1	H2	H3	H4	L	L1	L2	T
24074-010	16	86	50	52	10	30	8,4	M10	68	58	32	22	7	15	24	7,5	9	15
24074-012	20	94	58	60	12	32	8,4	M10	77	64	34	22	7	17	26	8	10	15
24074-015	20	108	63	66	15	35	10,5	M12	88	72	39	27	10	19	28	8	12	18
24074-017	25	108	63	66	17	40	10,5	M12	88	72	39	27	10	19	28	8	12	18
24074-020	32	112	70	72	20	47	10,5	M12	92	78	42	27	10	20	34	10	14	18